

1

2

3

4

5

6

A

A

MCU+other components



File: MCU+other components.kicad_sch

Diff_senzor+tep

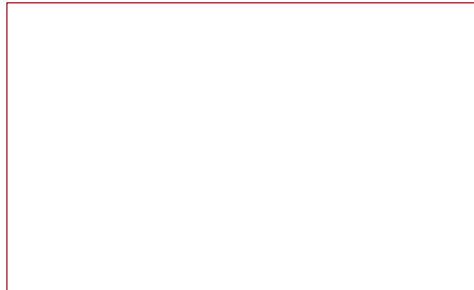


File: untitled.kicad_sch

B

B

2x ventil



File: 2x ventil.kicad_sch

GPS

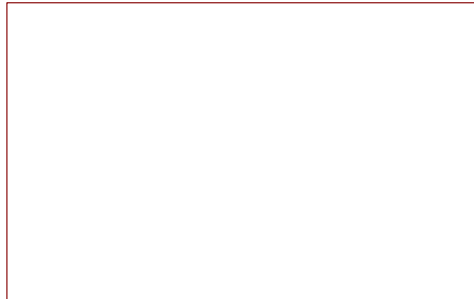


File: GPS.kicad_sch

C

C

LDO



File: LDO.kicad_sch

D

D



Sheet: /
File: design.kicad_sch

Title:

Size: A4

Date:

Rev:

KiCad E.D.A. kicad 7.0.8

Id: 1/6

1

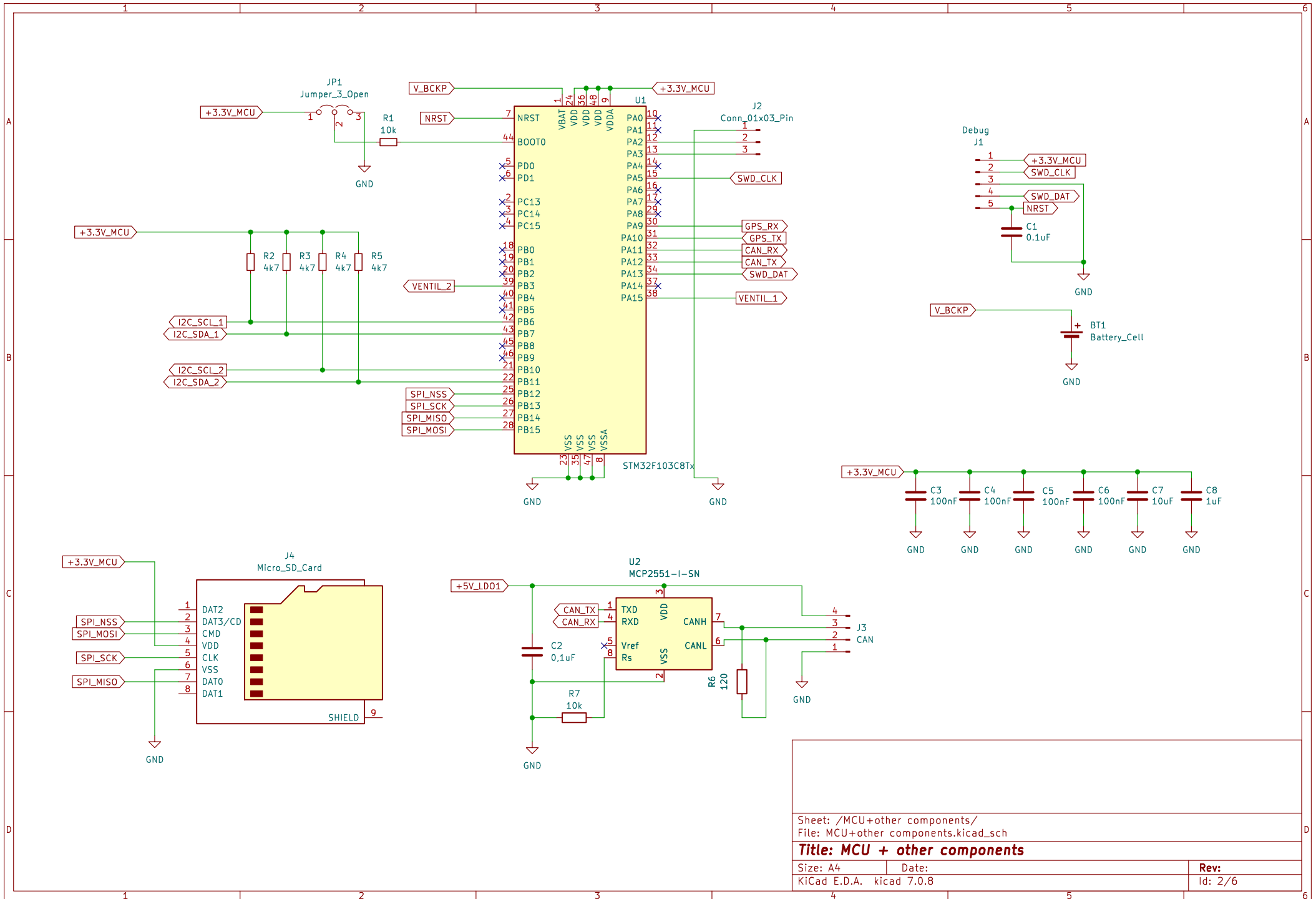
2

3

4

5

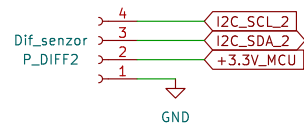
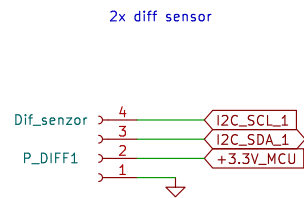
6



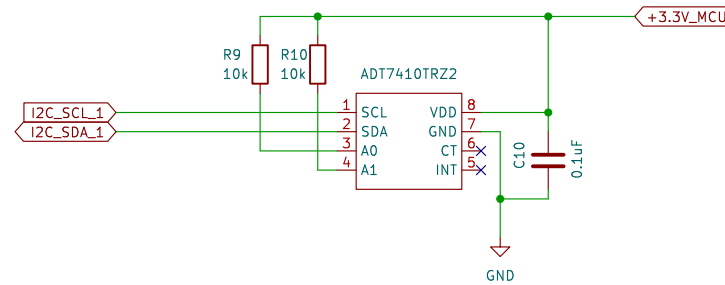
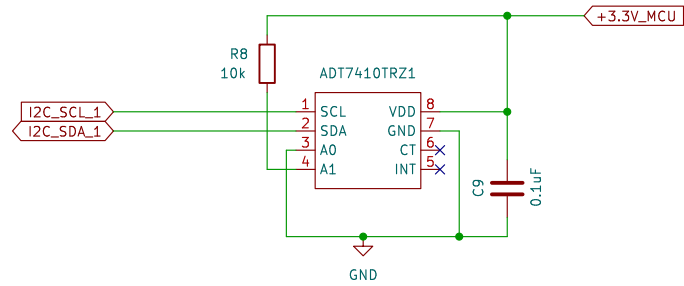
Sheet: /MCU+other components/
 File: MCU+other components.kicad_sch

Title: MCU + other components

Size: A4	Date:	Rev:
KiCad E.D.A. kicad 7.0.8		Id: 2/6



2x temp sensor



Sheet: /Diff_senzor+tep/
File: untitled.kicad_sch

Title: Differential sensors + temperature sensors

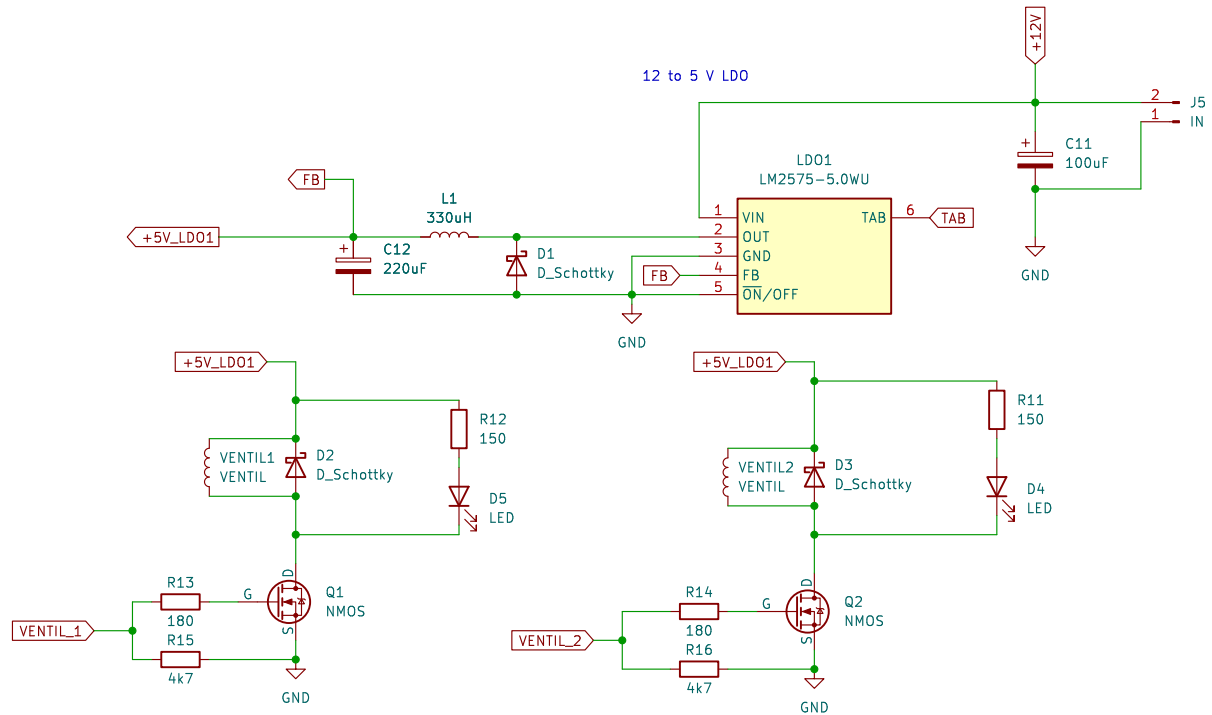
Size: A4

Date:

Rev:

KiCad E.D.A. kicad 7.0.8

Id: 3/6



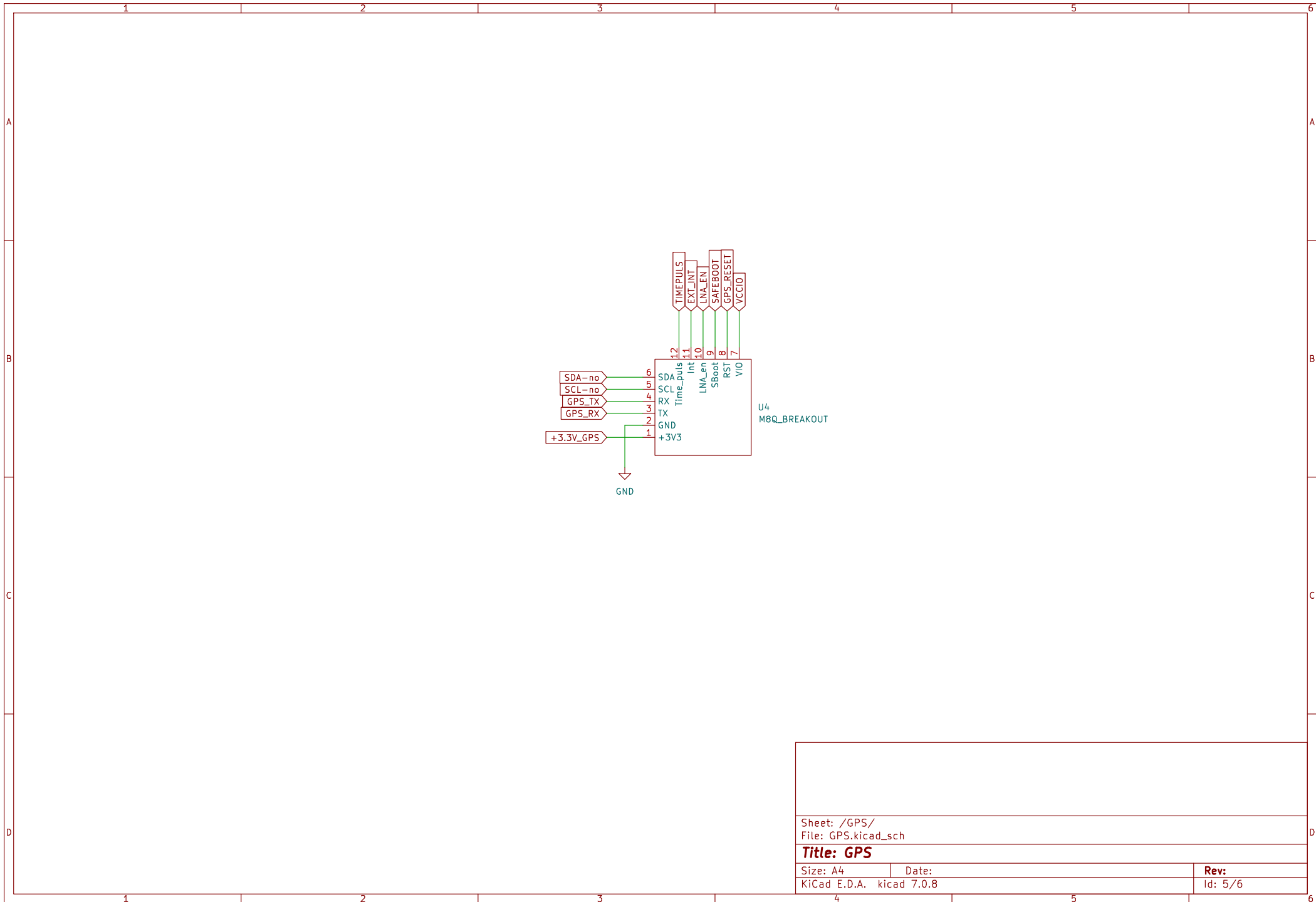
Sheet: /2x ventil/
 File: 2x ventil.kicad_sch

Title: Ventil

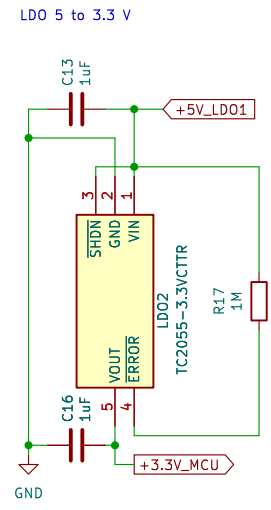
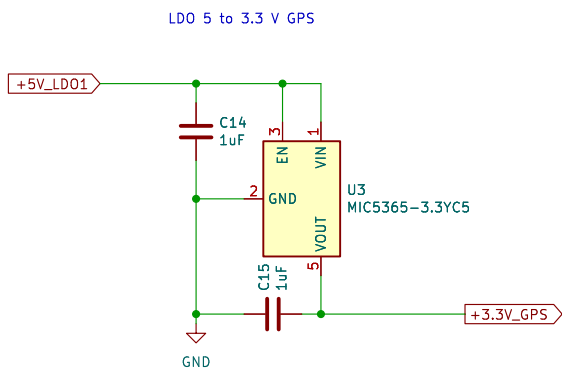
Size: A4
 KiCad E.D.A. kicad 7.0.8

Date:

Rev:
 Id: 4/6



Sheet: /GPS/		Date:	
File: GPS.kicad_sch		Rev:	
Title: GPS			
Size: A4	KiCad E.D.A.	Id: 5/6	
	kicad 7.0.8		



Sheet: /LDO/		Date:	
File: LDO.kicad_sch		Rev:	
Title: LDOs			
Size: A4	KiCad E.D.A. kicad 7.0.8	Id: 6/6	