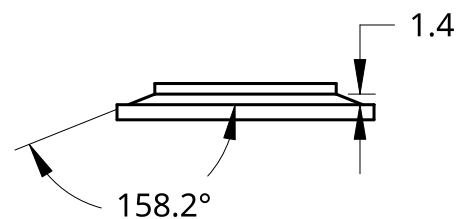
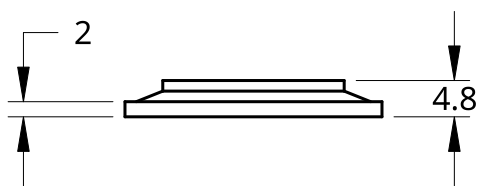
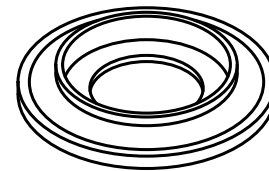
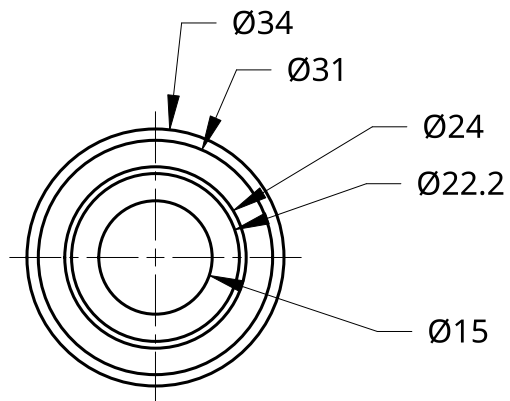
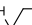
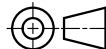


2

1



UNLESS OTHERWISE SPECIFIED, DIMENSIONS ARE IN MILLIMETERS  ANGULAR = ± °  SURFACE FINISH   DO NOT SCALE DRAWING  BREAK ALL SHARP EDGES AND REMOVE BURRS  THIRD ANGLE PROJECTION 		NAME	DATE	TITLE <b>Dam Tape Gluing Gripper One Side Wheel</b>					
	DRAWN	LUCIE VAJNEROVA	12/16/2023				SIZE	DWG NO.	REV.
	CHECKED						A		
	APPROVED			SCALE	WEIGHT	SHEET			
		MATERIAL	FINISH	1:1		1 of 1			

2

1