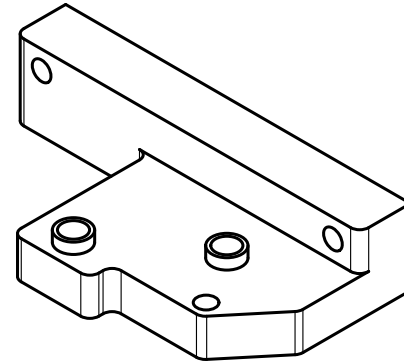
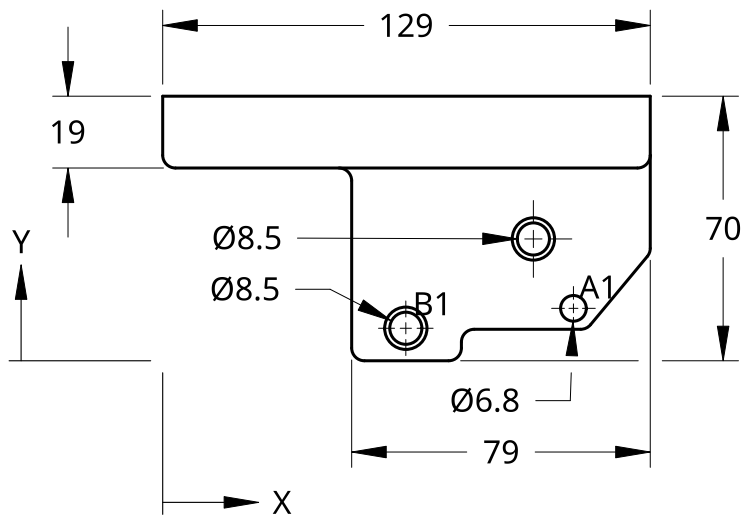
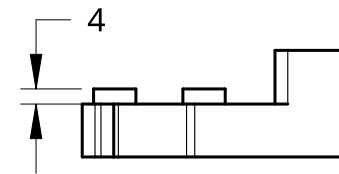
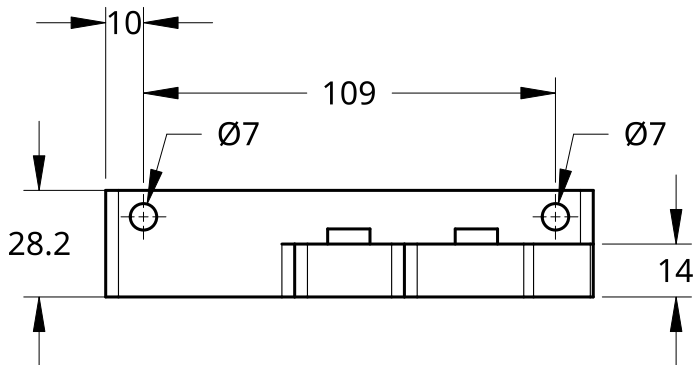


2

1



TAG	X LOC	Y LOC	SIZE	QTY
A1	108.68	13.87	Ø6.8 ↓ 13	1
B1	64.33	8.60	Ø8.5 THRU	4- 2



UNLESS OTHERWISE SPECIFIED,
DIMENSIONS ARE IN MILLIMETERS

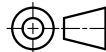
ANGULAR = ± °

SURFACE FINISH

DO NOT SCALE DRAWING

BREAK ALL SHARP EDGES AND
REMOVE BURRS

THIRD ANGLE PROJECTION



NAME

DATE

DRAWN

LUCIE VAJNEROVA

12/16/2023

CHECKED

APPROVED

TITLE

Dam Tape Gluing Gripper
Main Body

SIZE

A

DWG NO.

REV.

SCALE 1:2

WEIGHT

SHEET

1 of 1

2

1

B

B

A

A