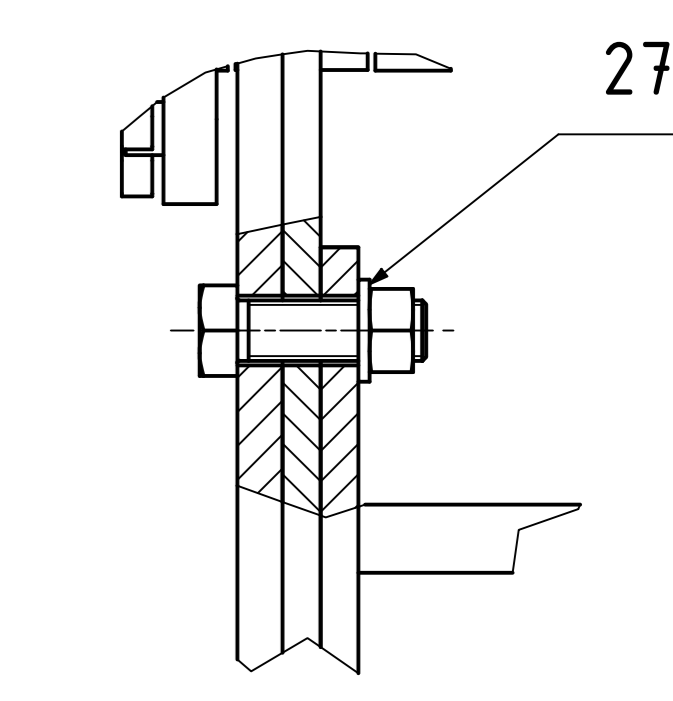
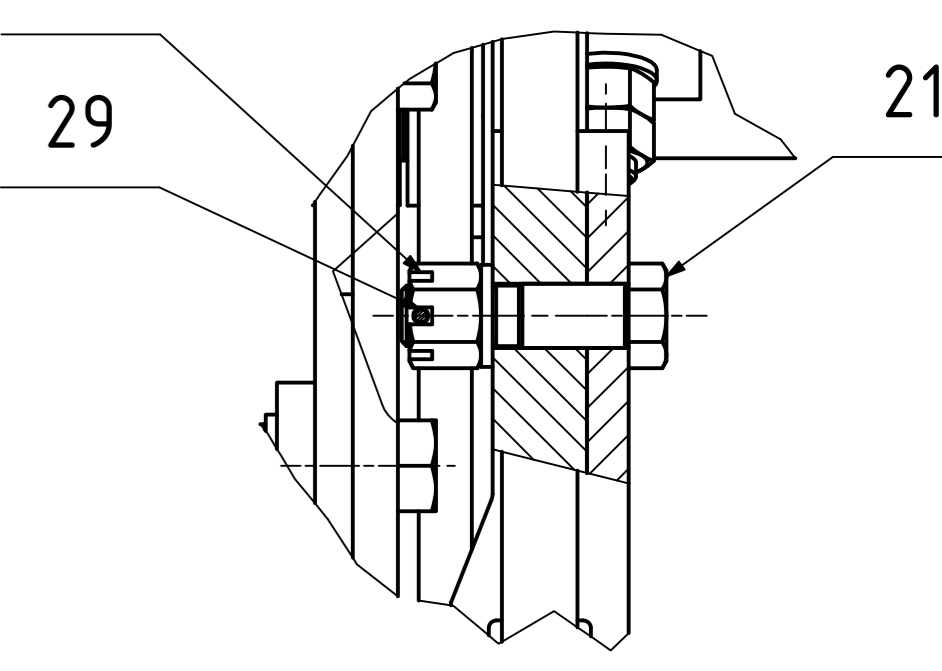


K (1:2)



27

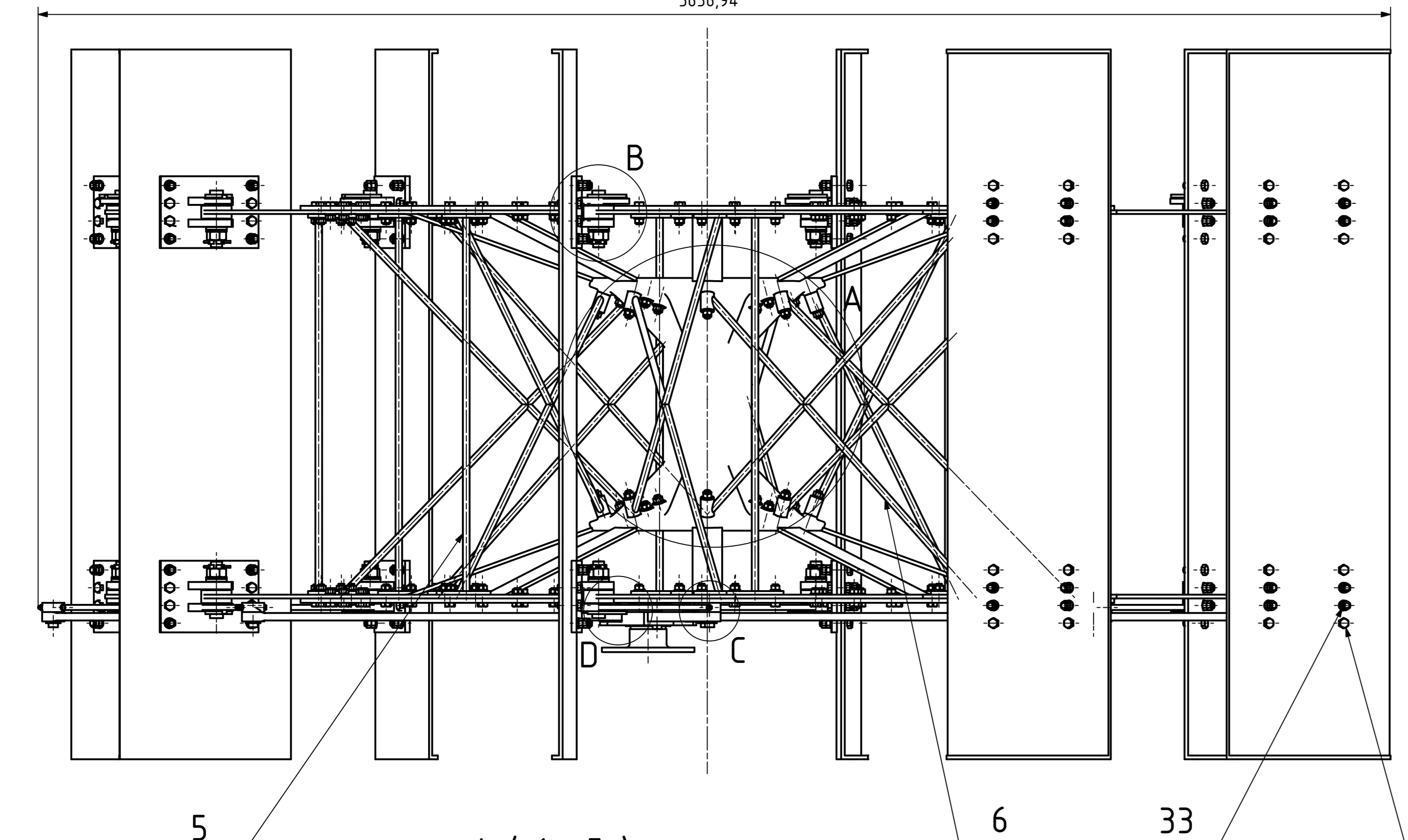
J (1:2)



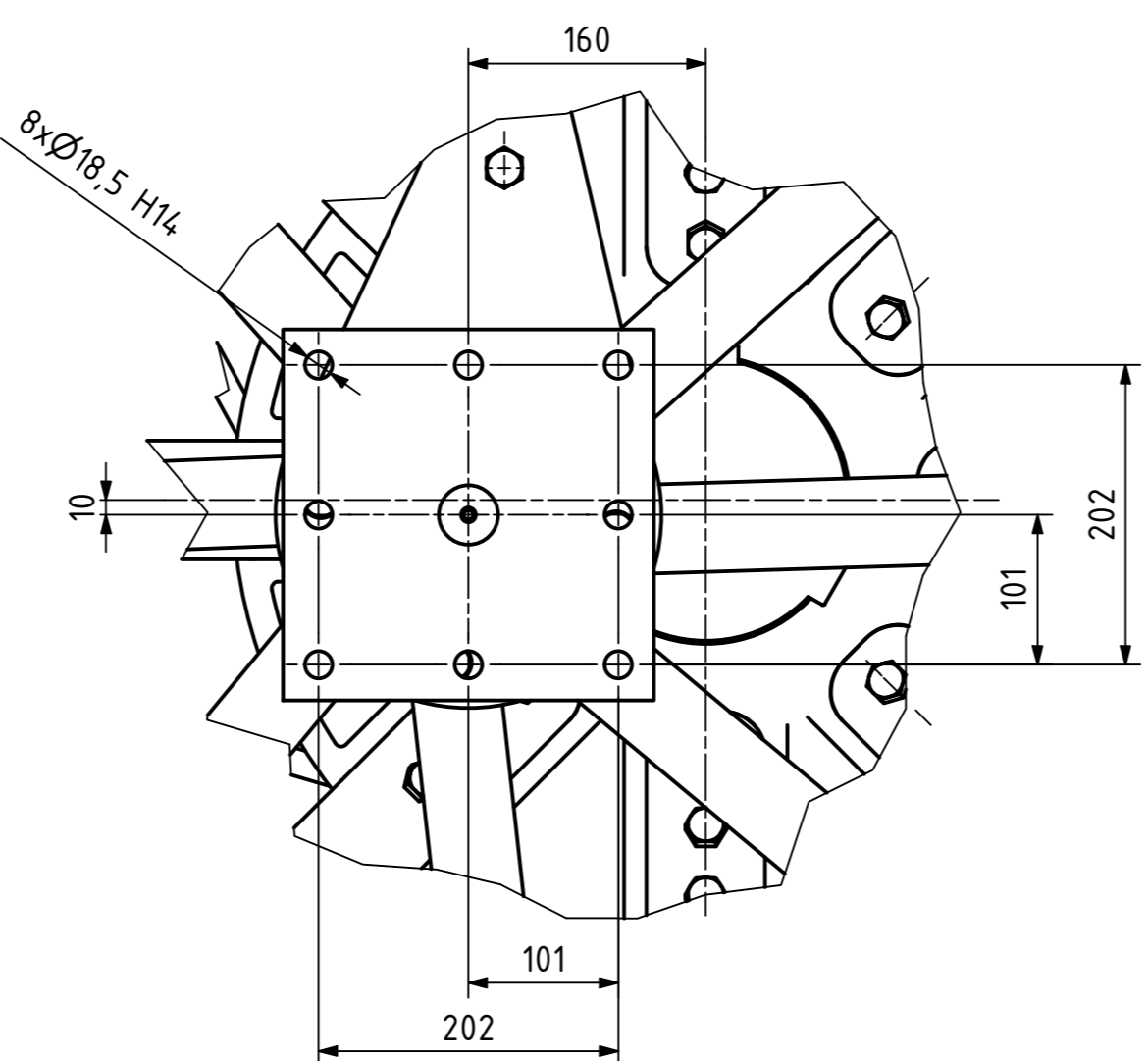
28

29

21



E (1:5)

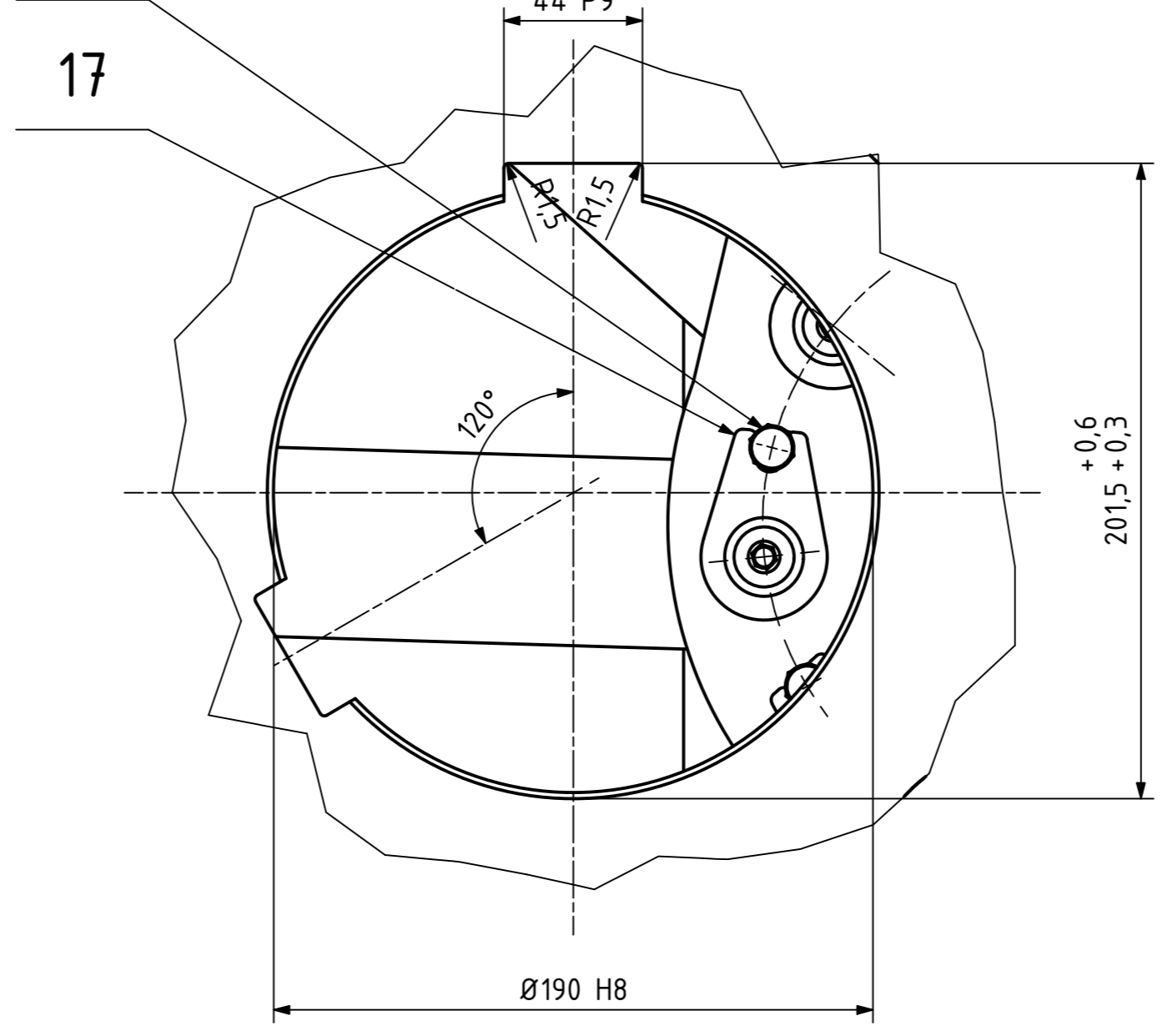


160

202

101

F (1:2)



44 P9

44 P9

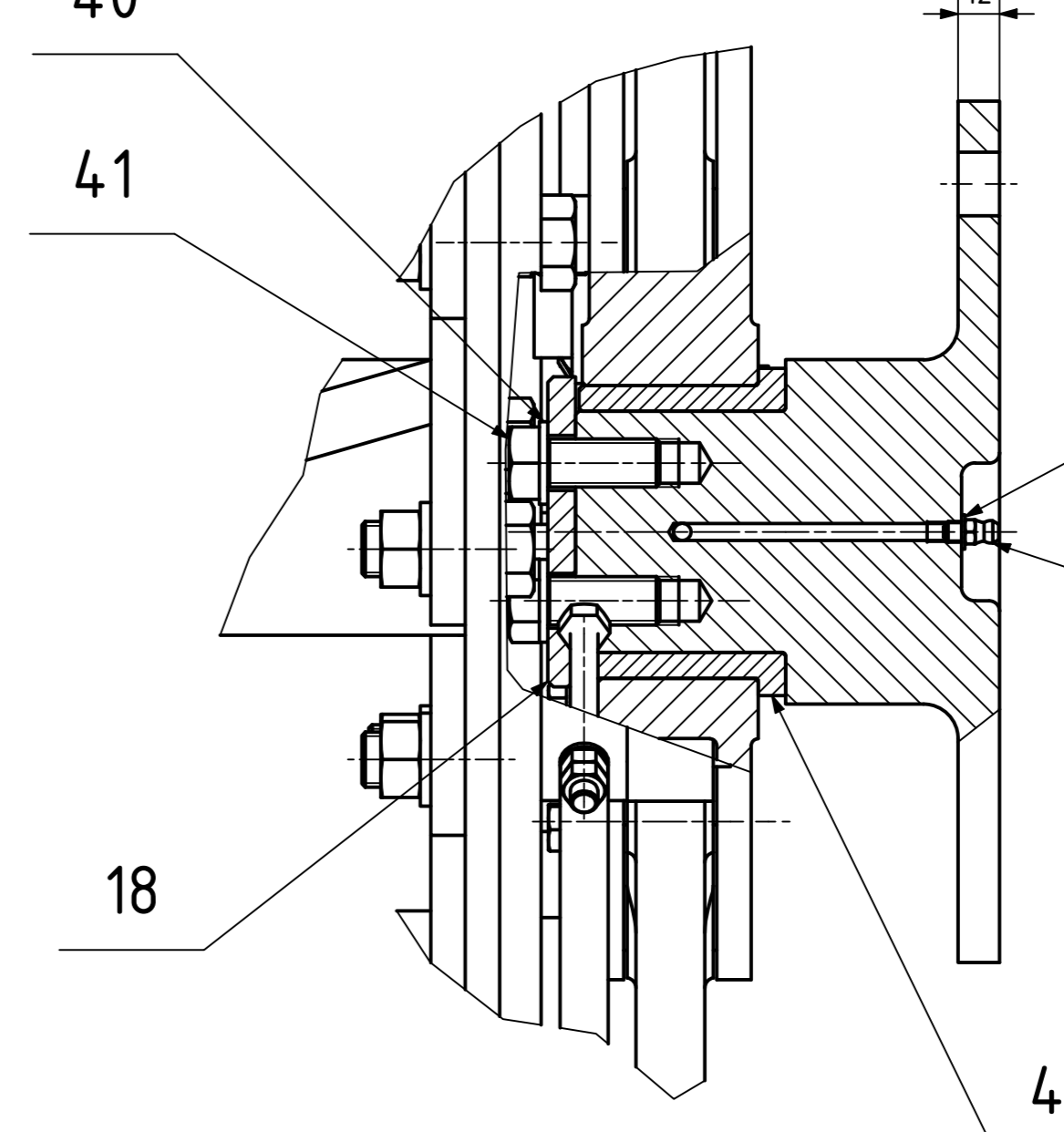
Ø190 H8

120°

44 P9

2015 +0.3

G (1:2)



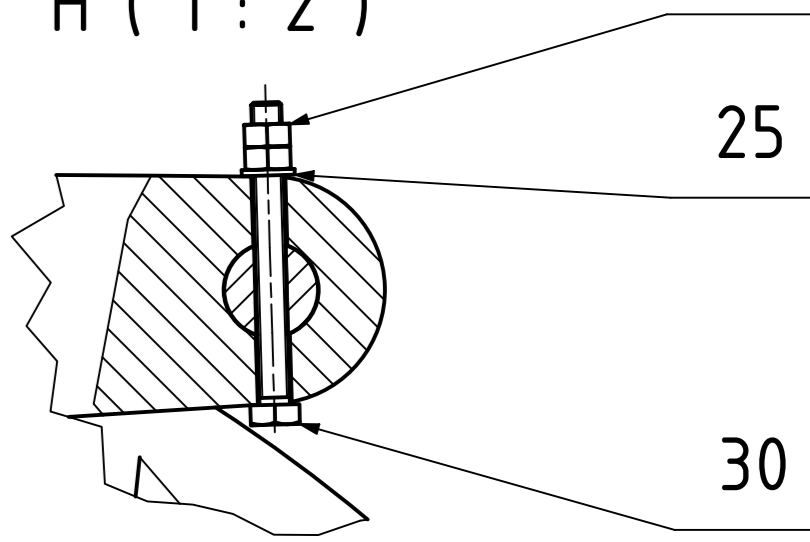
40

41

18

44

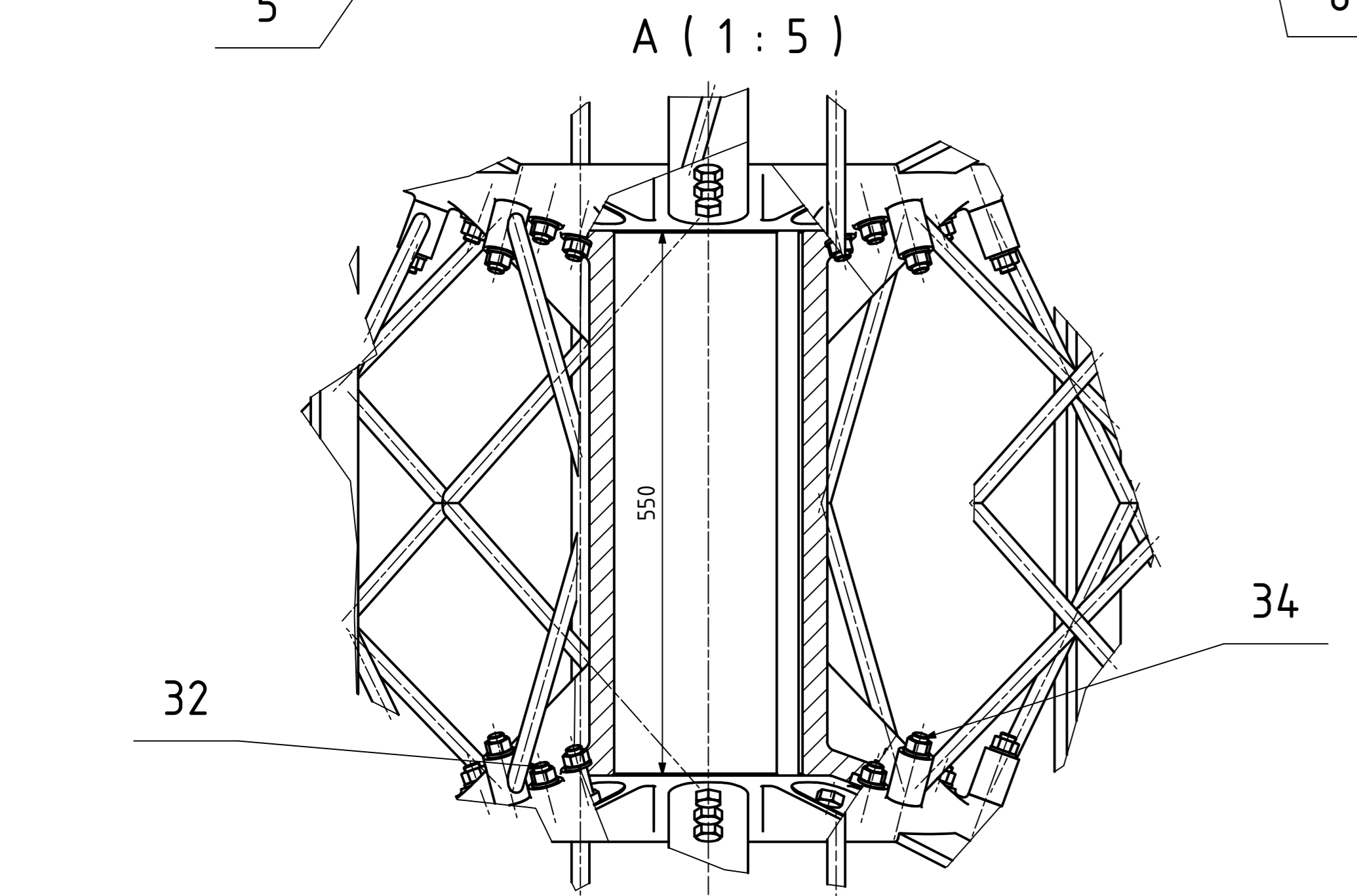
H (1:2)



31

25

30

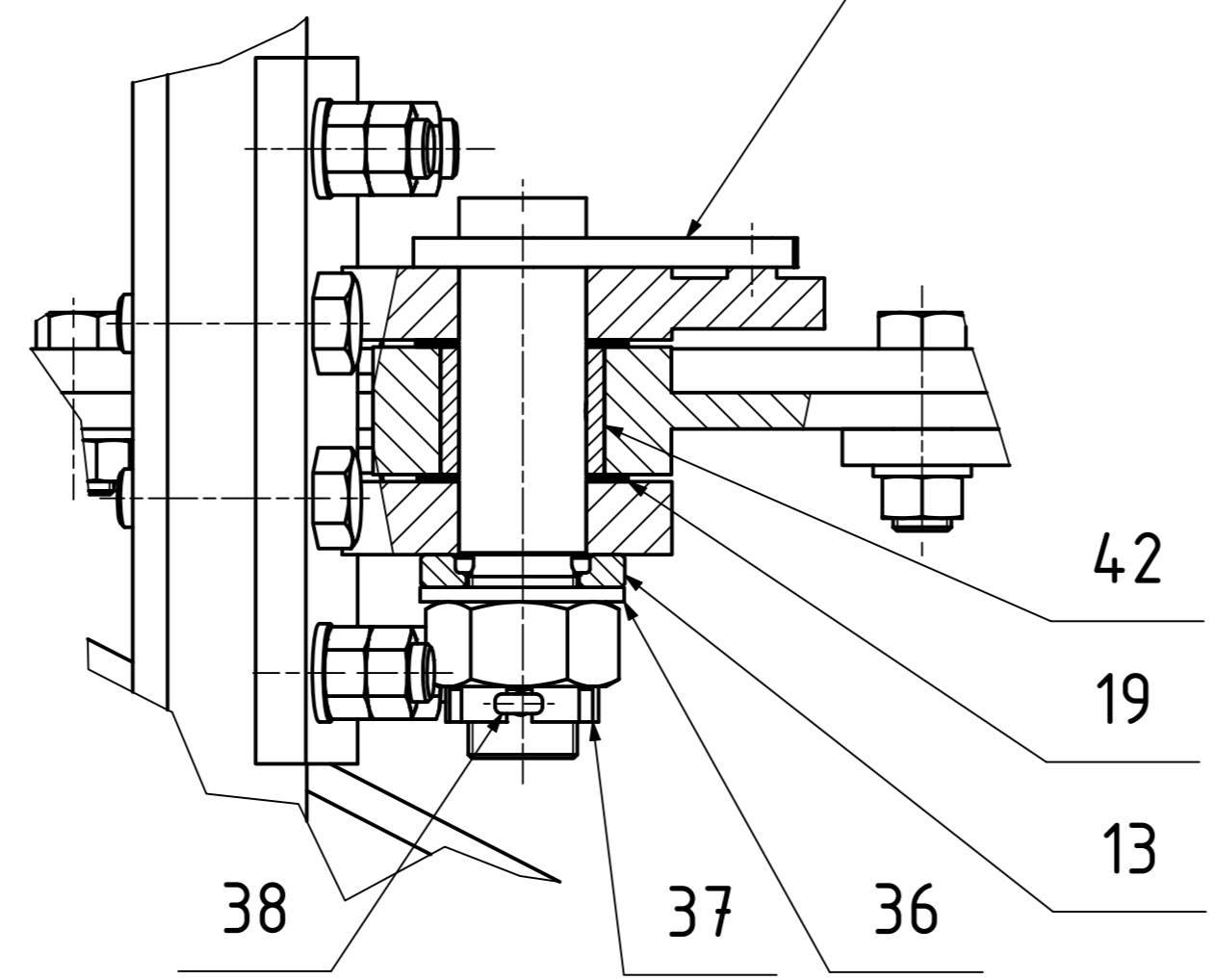


A (1:5)

32

34

B (1:2)



12

42

19

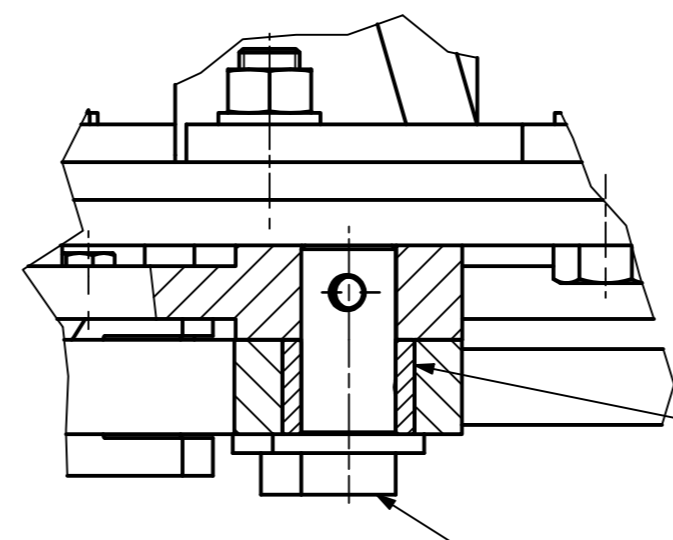
13

38

37

36

C (1:2)



43

20

14

D (1:2)

