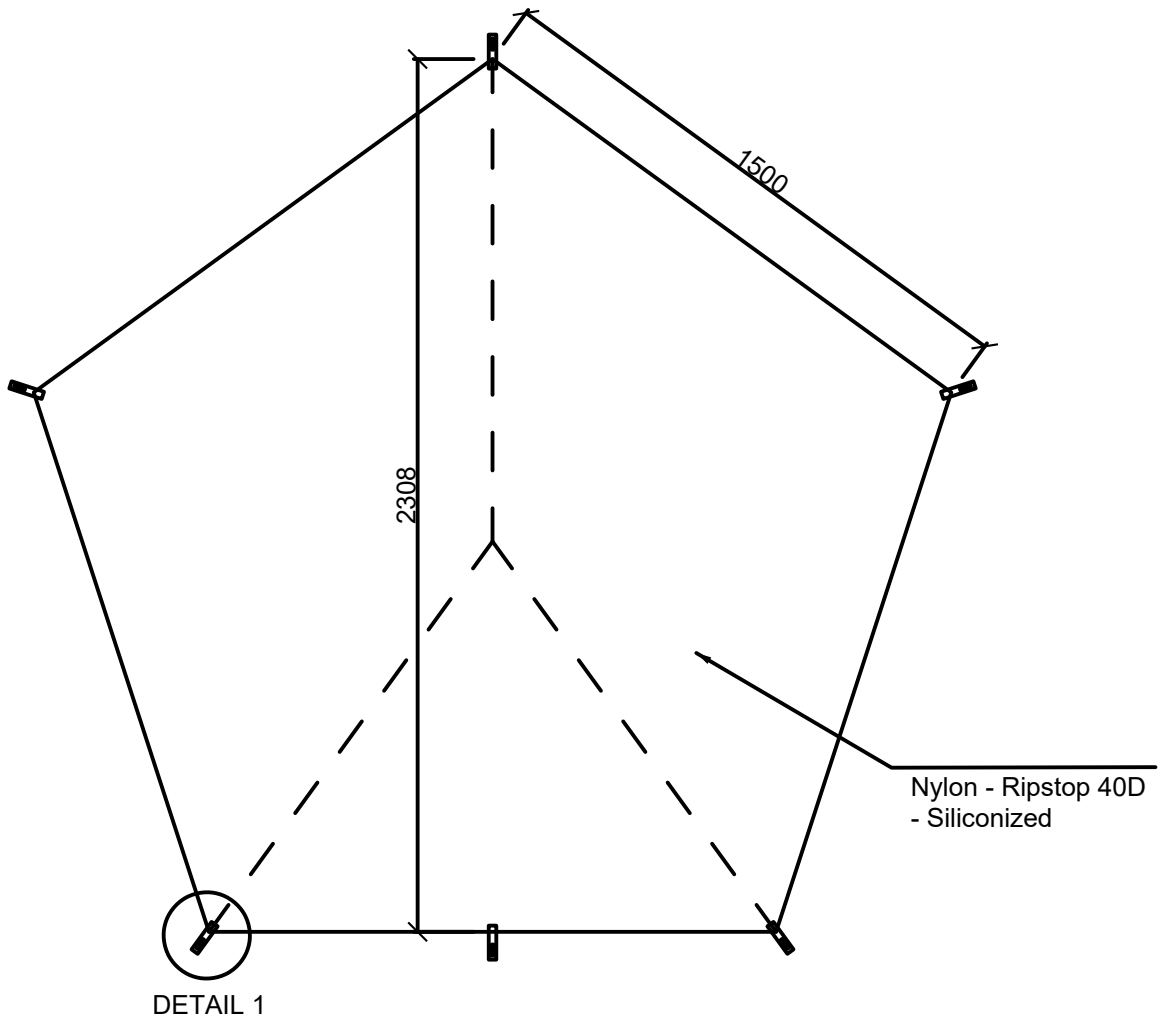
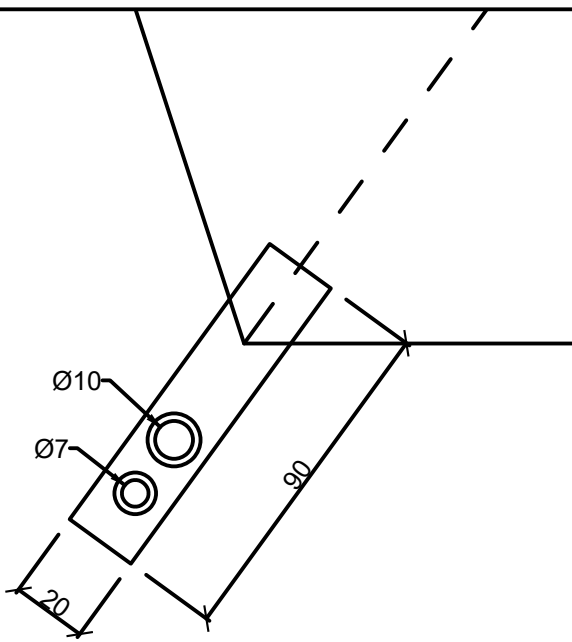


PLACHTA



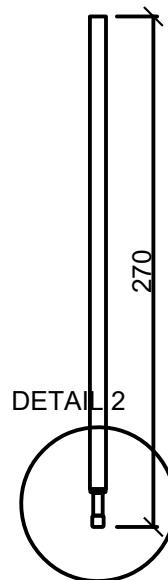
M 1:20

DETAIL 1



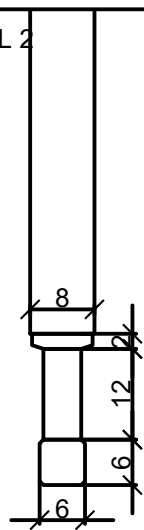
M 1:2

TYČ - SEGMENT



M 1:4

DETAIL 2



M 1:1