

David Reinstein

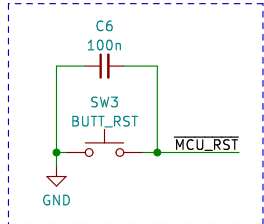
Sheet: /
 File: Thermometer_IR_v2.kicad_sch

Title: IR_Thermometer_&Therma_Camera

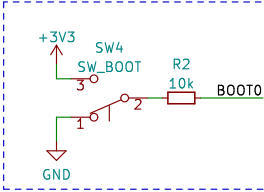
Size: A4 Date: 2023-04-09
 KiCad E.D.A. kicad (6.0.8)

Rev:
 Id: 1/5

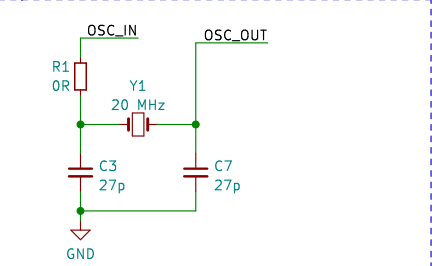
Reset button



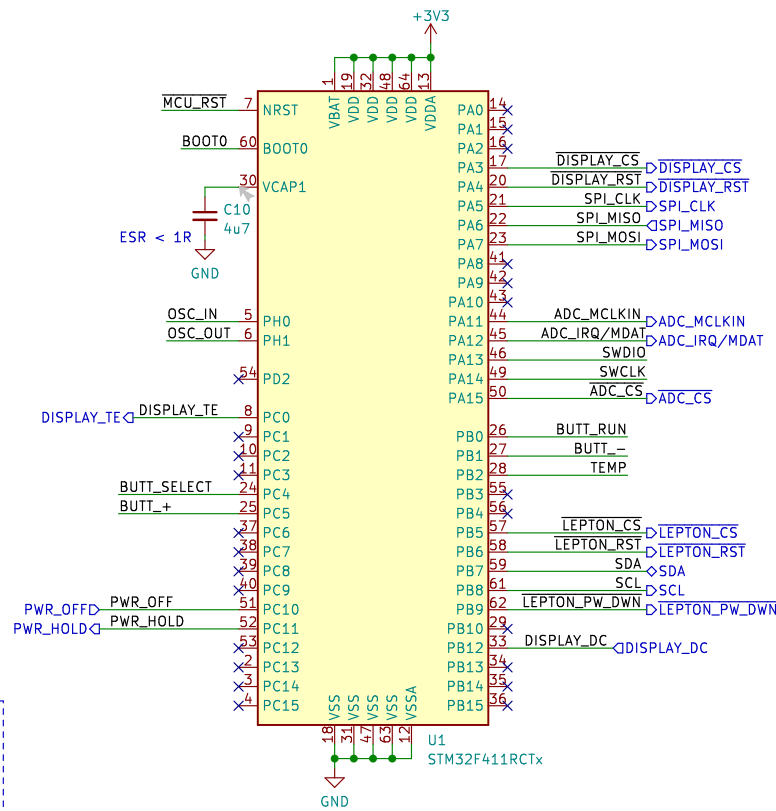
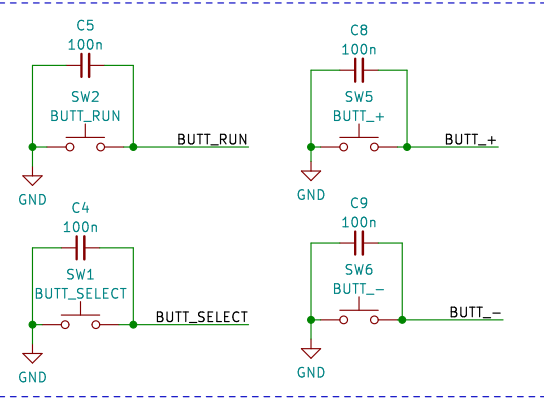
BOOT selection



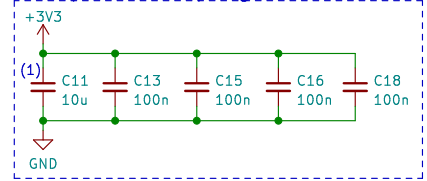
Crystal resonator



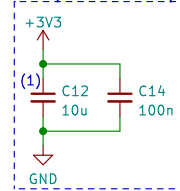
Buttons



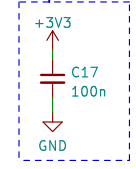
VDD pins decoupling



VDDA pin decoupling

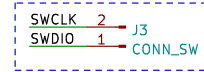


VBAT pin decoupling

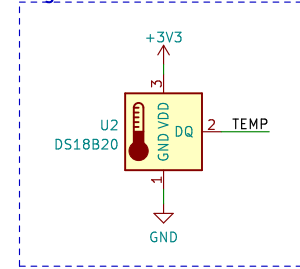


1) 1u and 10u are ceramic or tantalum

Serial wire



Digital thermometer



David Reinstein

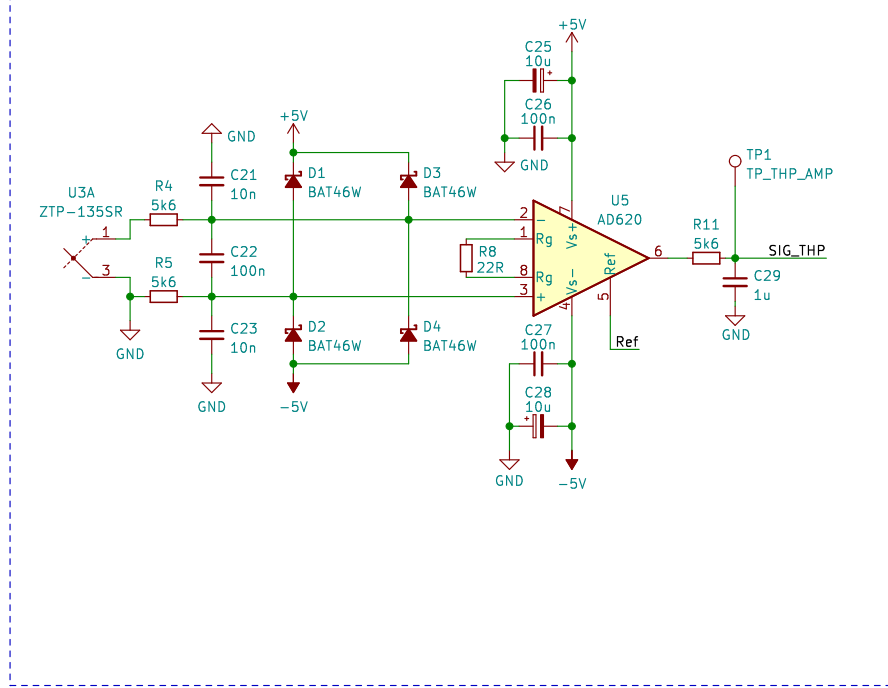
Sheet: /MCU/
File: MCU.kicad_sch

Title: MCU_STM32

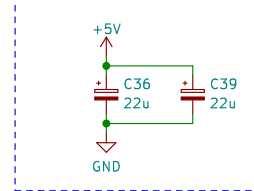
Size: A4 Date: 2023-04-09
KiCad E.D.A. kicad (6.0.8)

Rev:
Id: 2/5

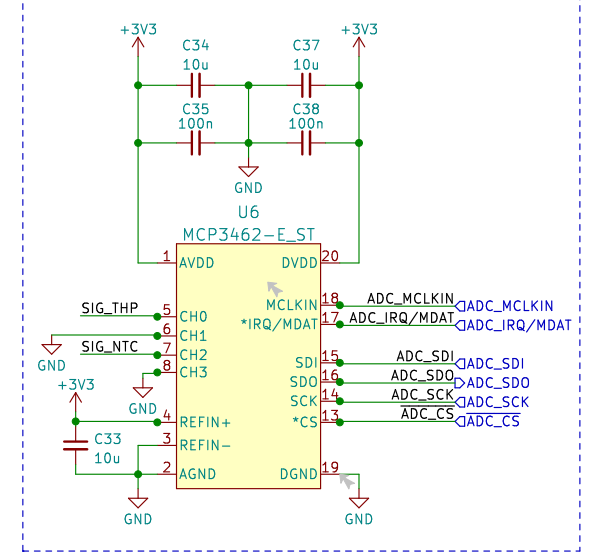
Thermopile instrumentation and filtering



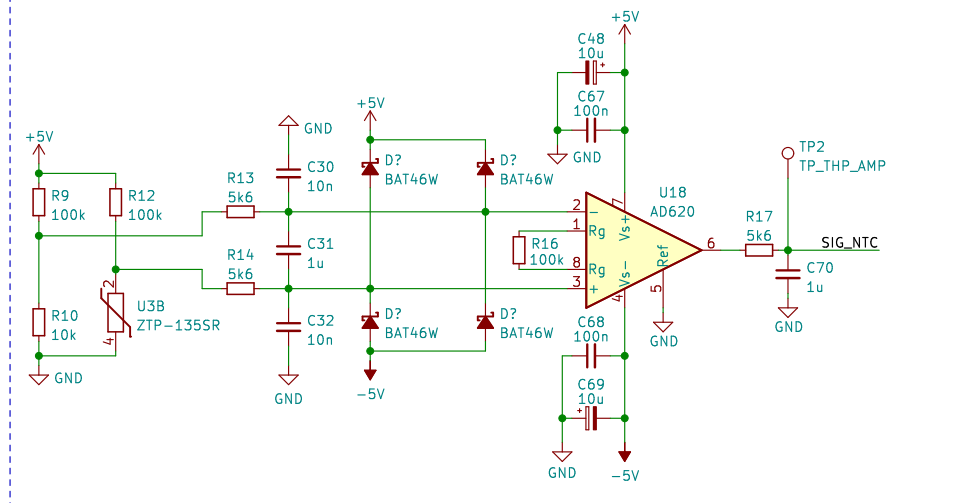
Additional decoupling option



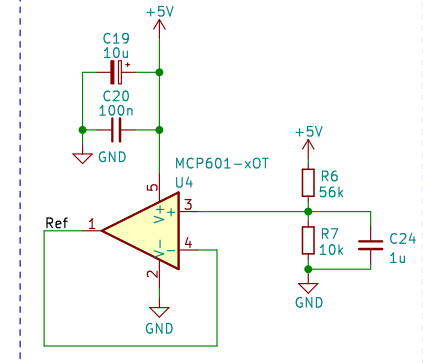
ADC 2 channel



NTC filtering



Reference driver



David Reinstein

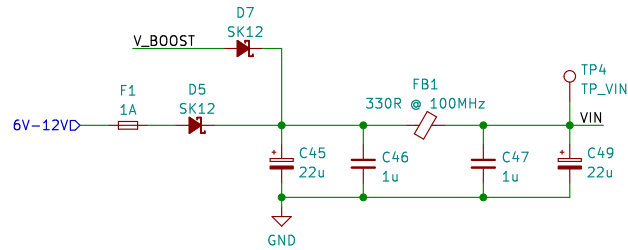
Sheet: /Analog/
File: Analog.kicad_sch

Title: Analog

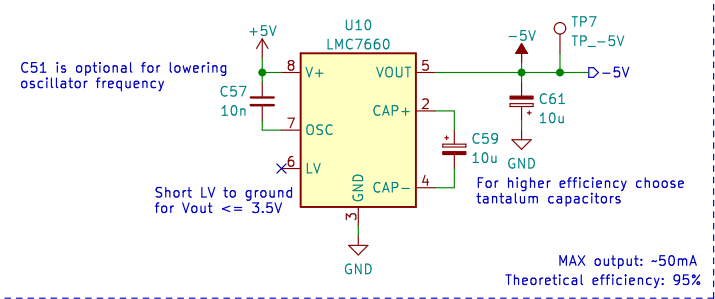
Size: A4 Date: 2023-04-09
KiCad E.D.A. kicad (6.0.8)

Rev:
Id: 3/5

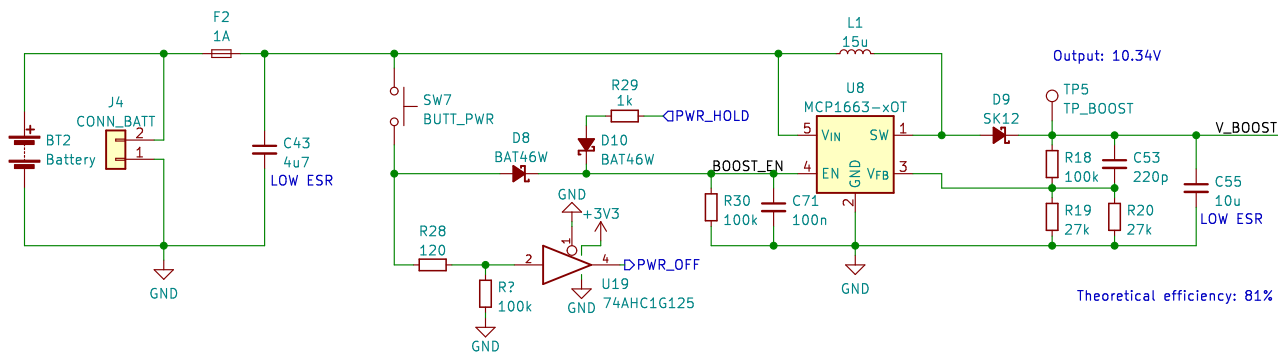
Voltage input



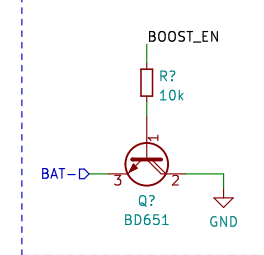
5V Charge pump



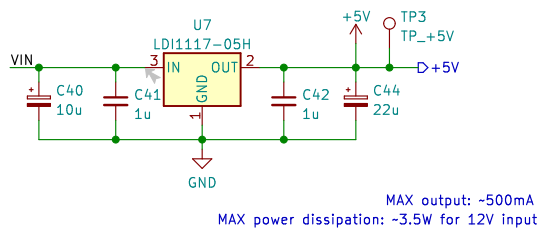
Battery boost regulator



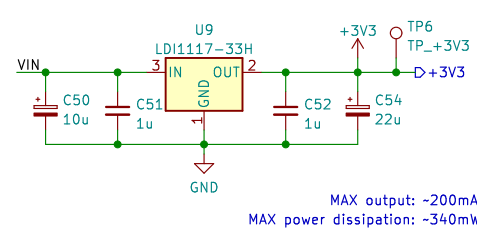
ON/OFF Darlington



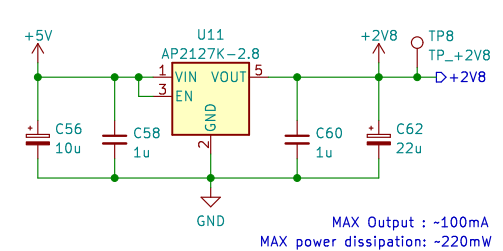
5V LDO



3V3 LDO



2V8 LDO



David Reinstein

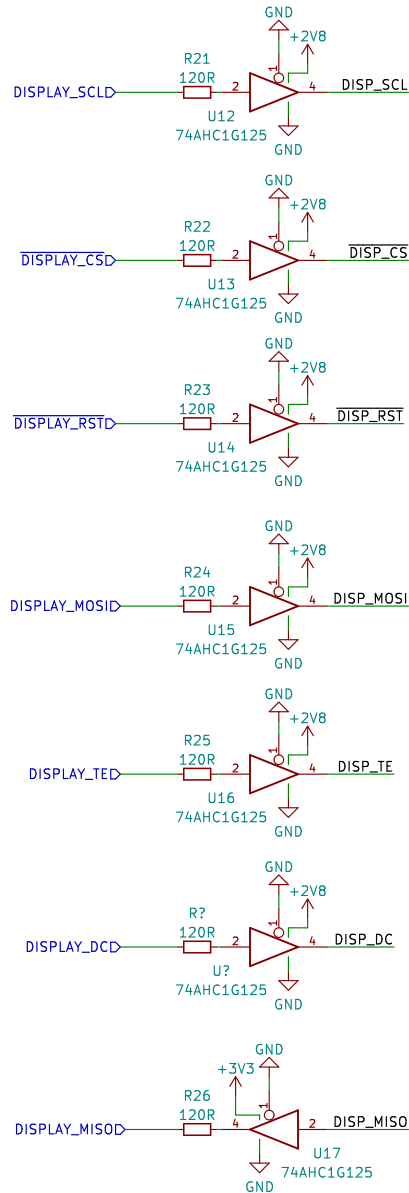
Sheet: /Power supply/
File: Power_supply.kicad_sch

Title: Power supply

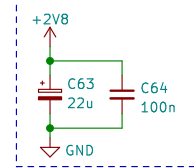
Size: A4 Date: 2023-04-09
KiCad E.D.A. kicad (6.0.8)

Rev:
Id: 4/5

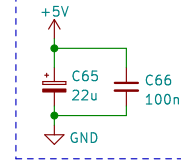
3V3 to 2V8 buffers



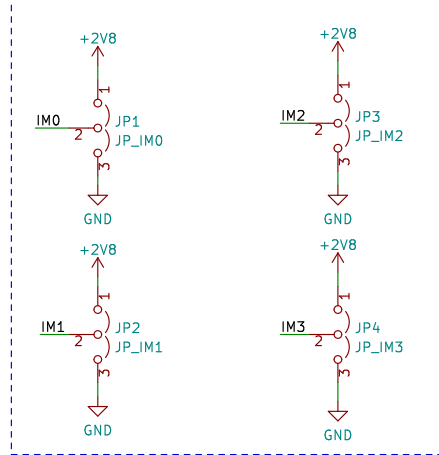
2V8 decoupling



5V decoupling

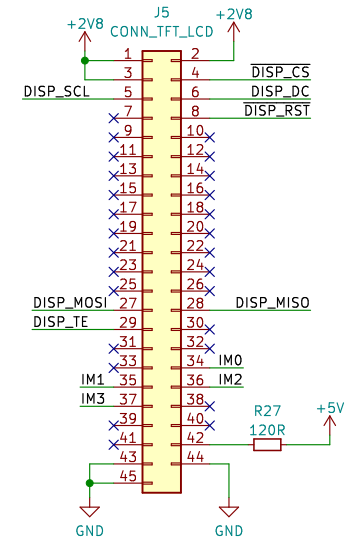


Format selection jumpers



Display connector

DEM240320K-TMH



Sheet: /Display/
File: Display.kicad_sch

Title:

Size: A4
KiCad E.D.A. kicad (6.0.8)

Date:

Rev:
Id: 5/5