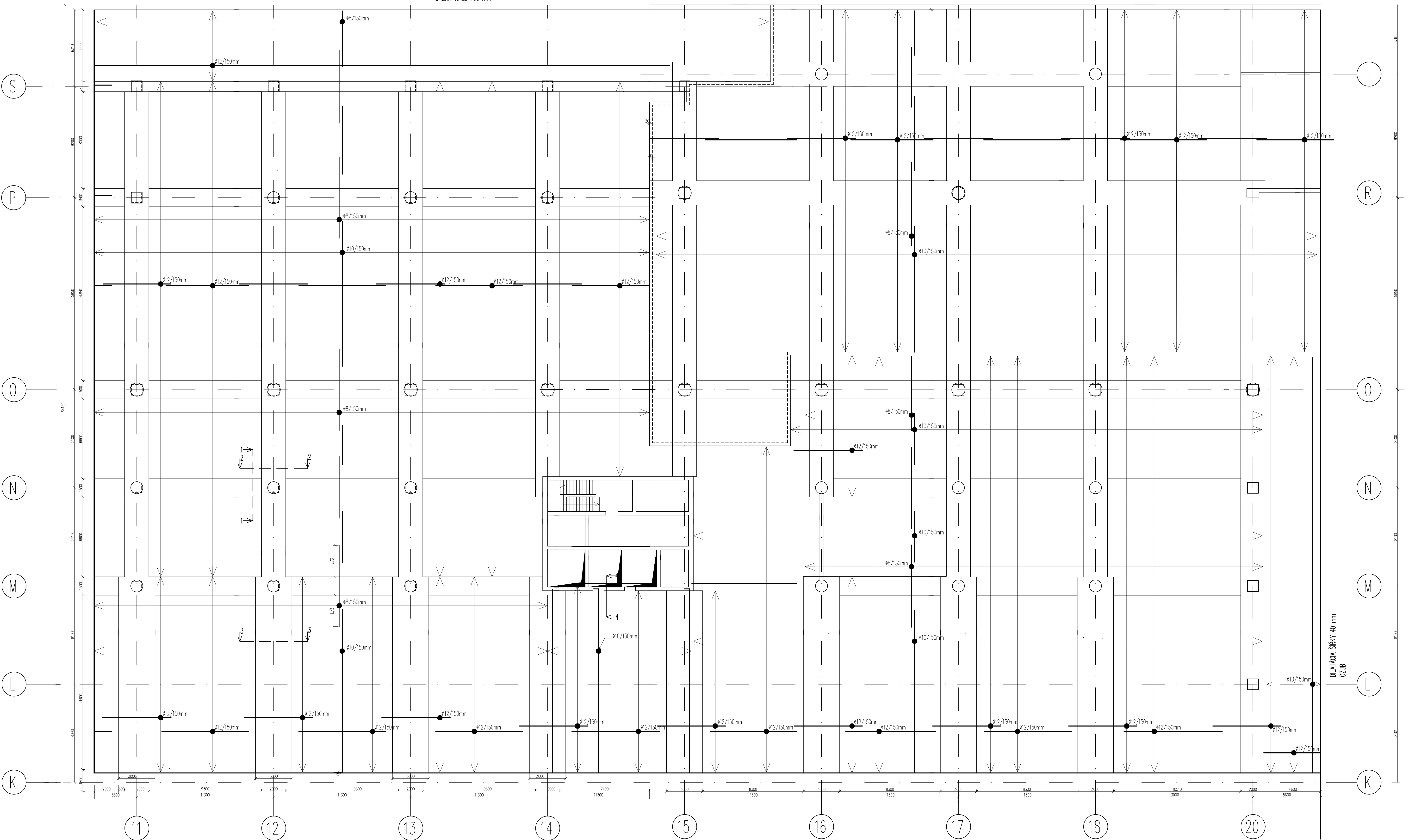
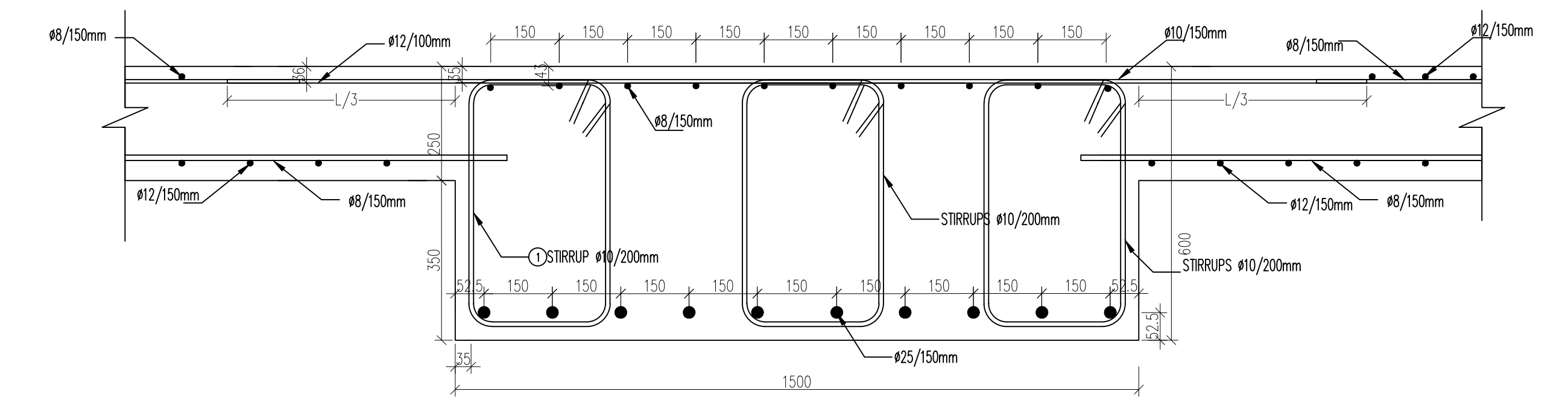


FLOOR PLAN : TOP REINFORCEMENT - 1PP
M1:150

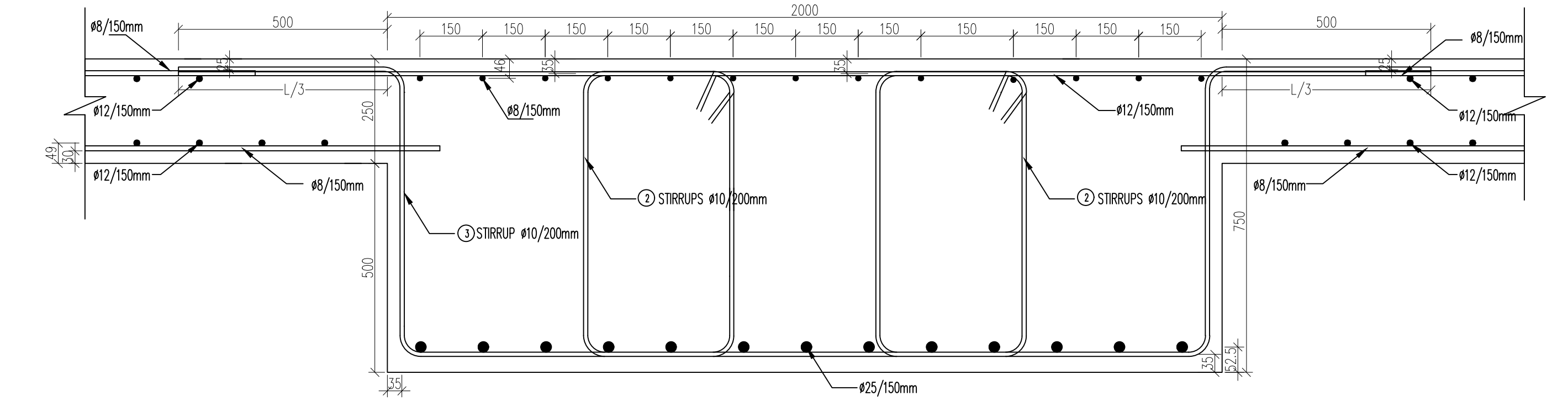
Shear Wall 400 mm



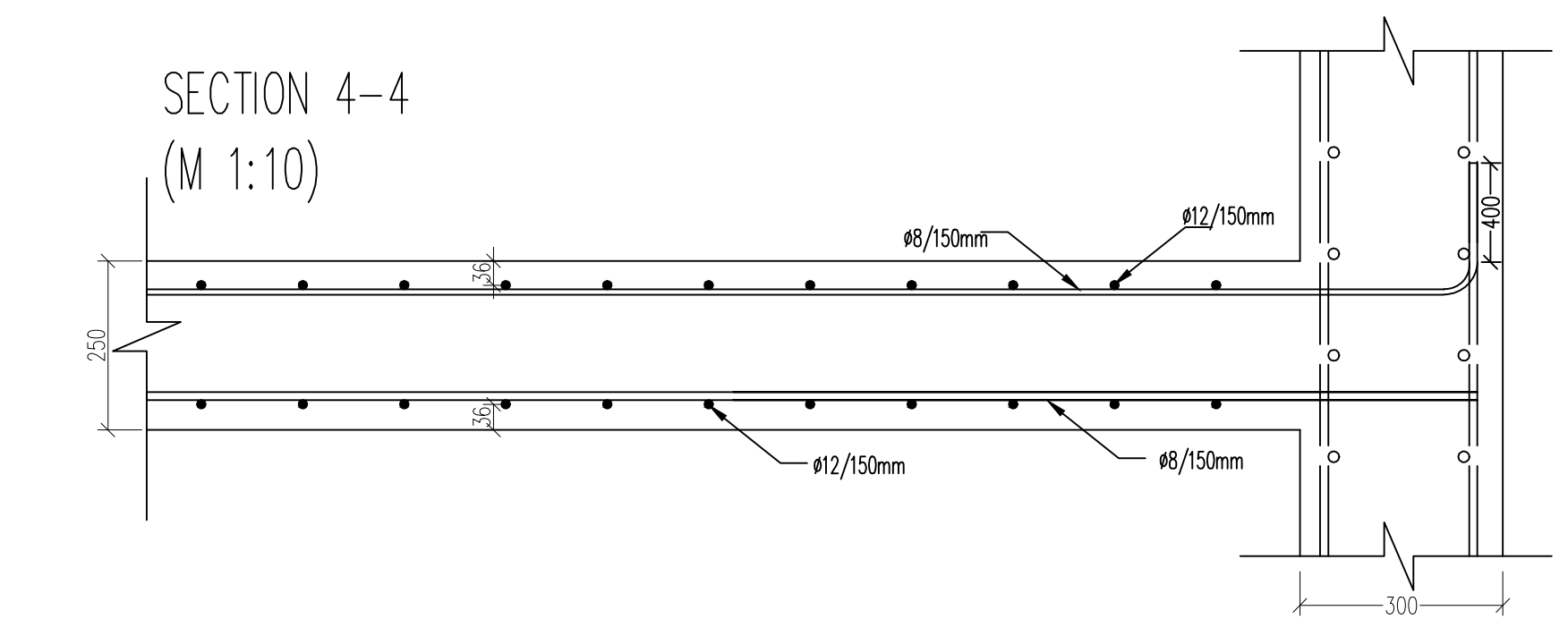
SECTION 1-1
(M 1:10)



SECTION 2-2
(M 1:10)

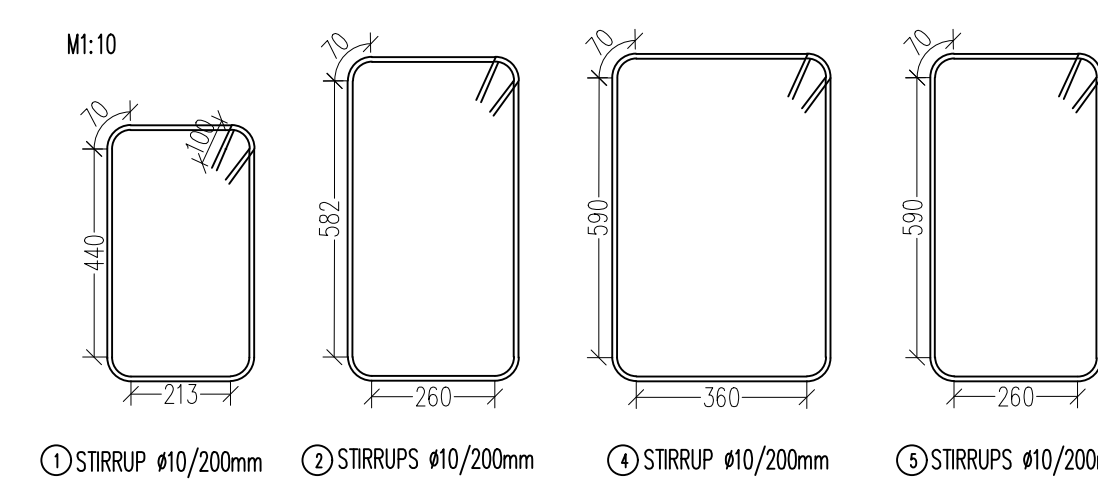
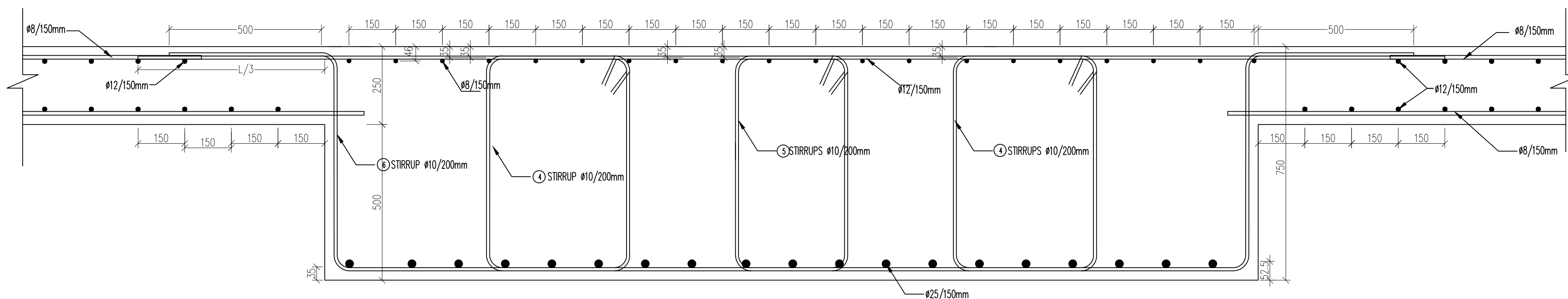


SECTION 4-4
(M 1:10)

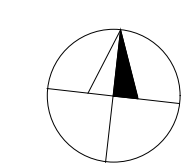
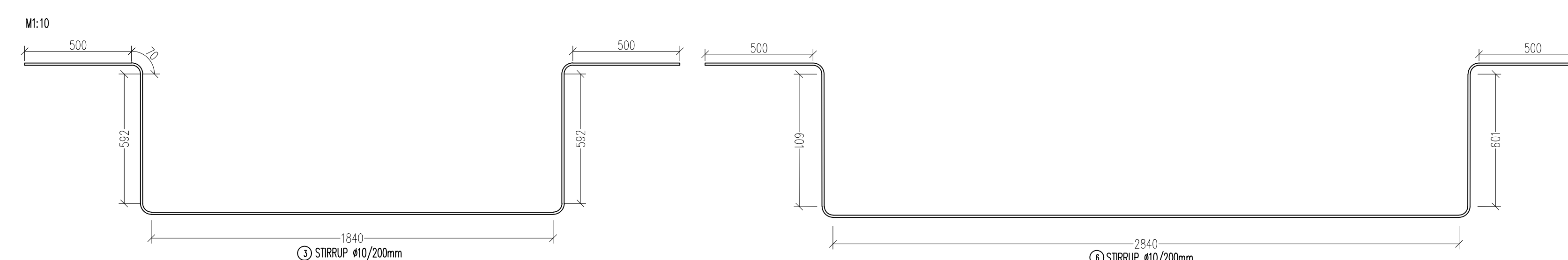


NOTE:
CONCRETE: C35/45 XC2, XD1-CI 0.4 Dmax 16-S3
STEEL B500B
CONCRETE COVER 30mm
THICKNESS OF SLAB: 250mm, 300mm

SECTION 3-3
(M 1:10)



HOOKS, BENDS, LOOPS:
BAR DIAMETER:
FOR S500 $\phi < 20\text{mm} = 4\phi$
 $\phi > 20\text{mm} = 7\phi$



FIELD:	SUBJECT:	NAME OF STUDENT:
BUILDING STRUCTURE	130PP	DURGESH SAKSHAM PAUL
YEAR OF STUDIES:	SUPERVISOR	
1.5	doc. Ing. Marek Foglar, Ph.D.	
NAME OF PROJECT:		
MLYNSKE NIVY BUS TERMINAL - DILATION A5		
CONTENT:	TOP REINFORCEMENT SCHEME ON SLAB OF 1PP - DILATION A5	
FORMAT:	A4	
SCALE:	1:150, 1:10	
DATE:	28.11.2022	

