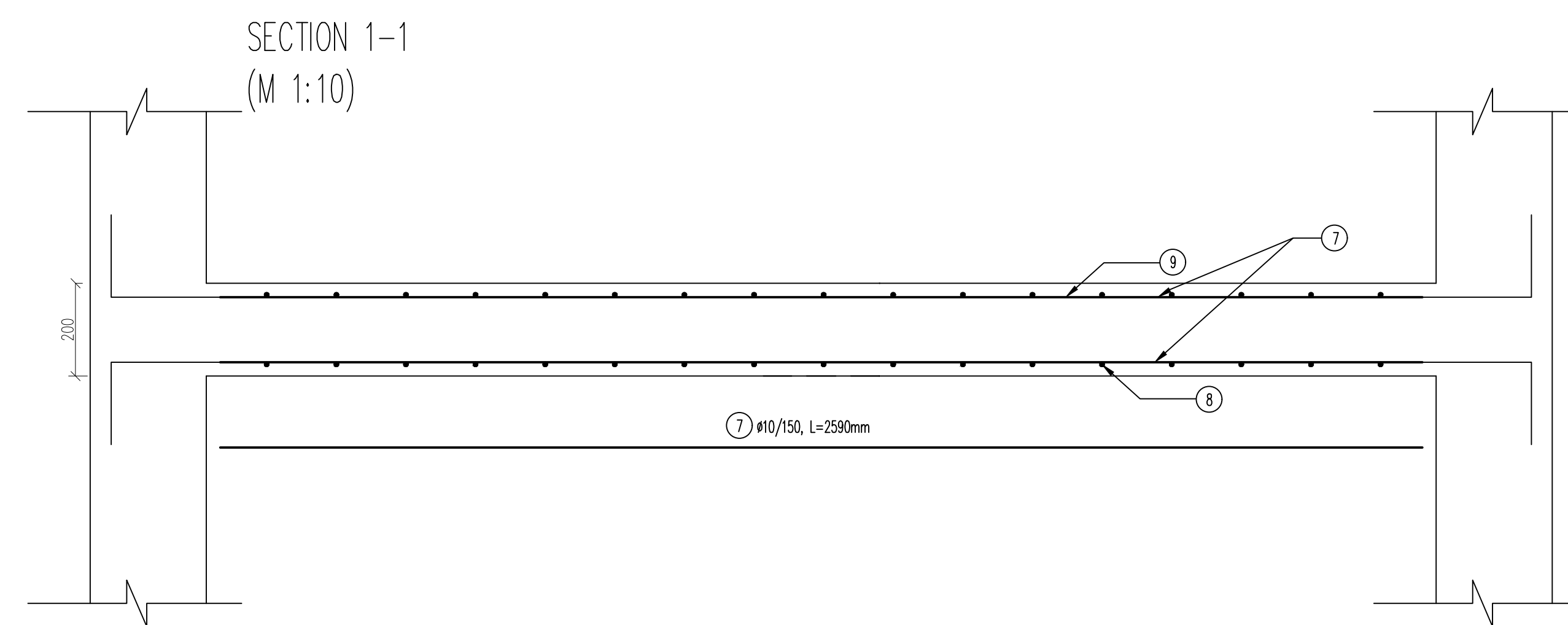
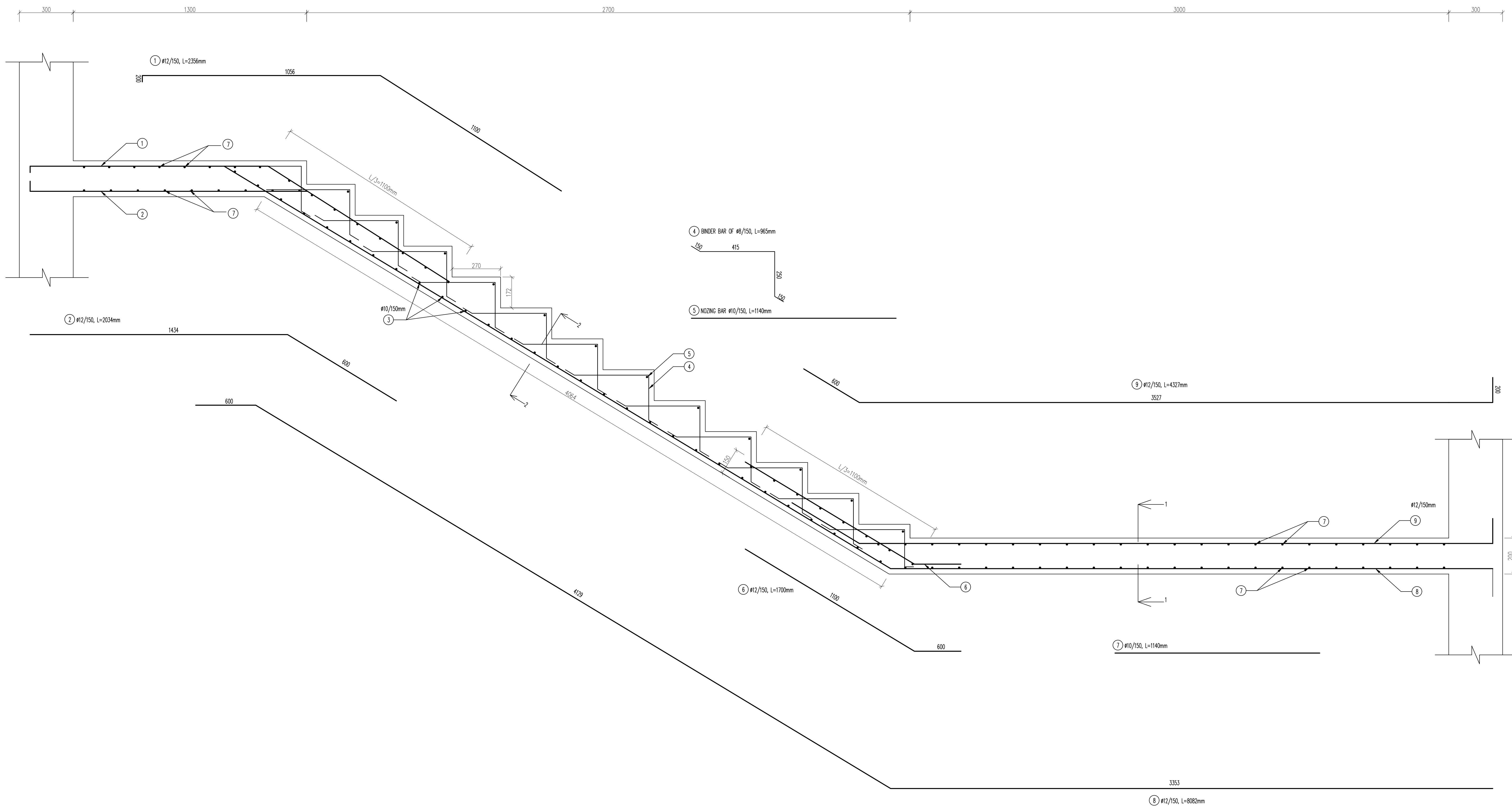
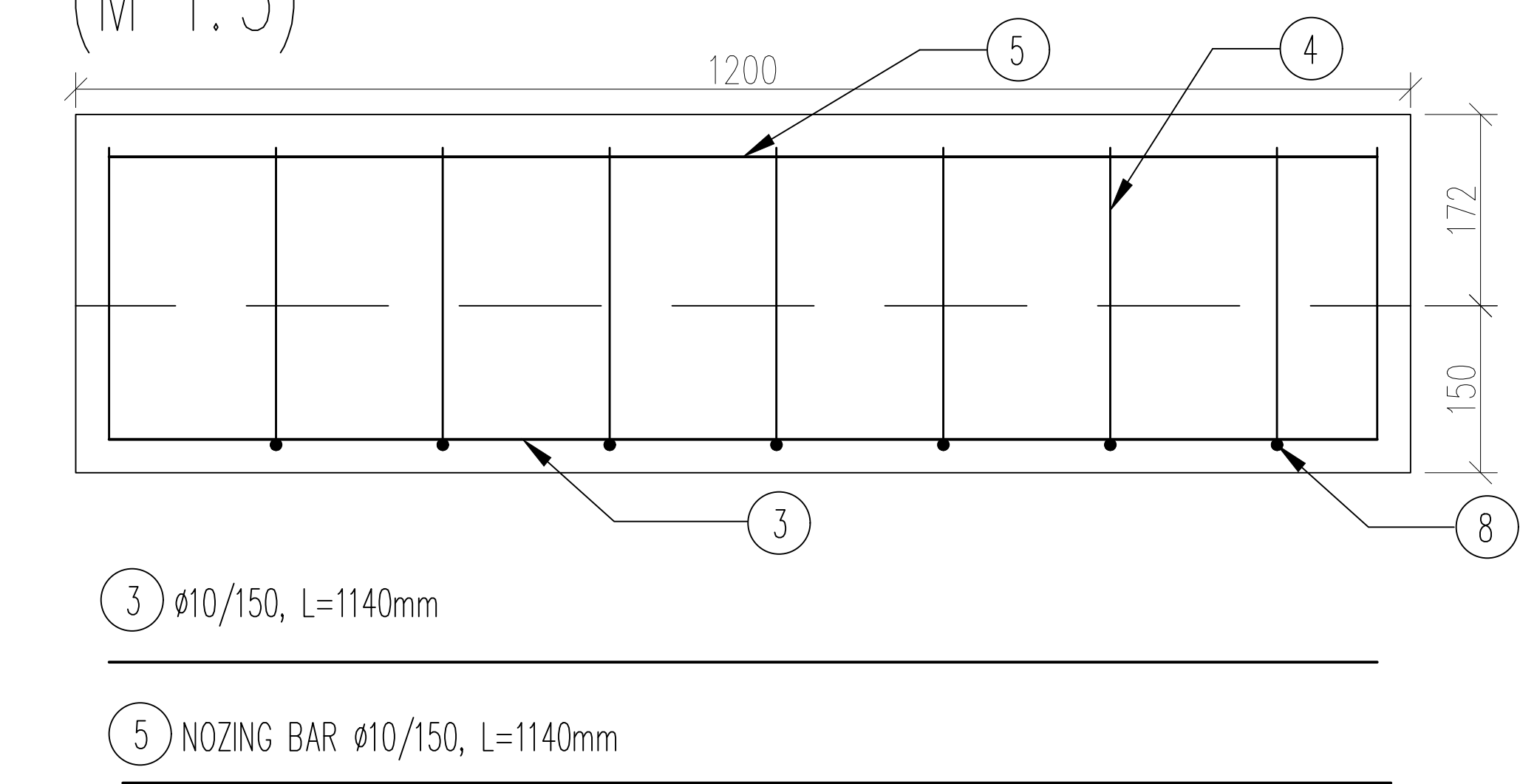


DETAIL OF STAIRCASE ON 1PP  
(M 1:150)



SECTION 2-2  
(M 1:5)



NOTE:  
 CONCRETE: C30/37 XC1, EXPOSED CONCRETE  
 STEEL B500B  
 CONCRETE COVER 30mm  
 THICKNESS OF WAIST SLAB: 150mm  
 THICKNESS OF LANDING: 200mm

FIELD:	SUBJECT:	NAME OF STUDENT:
BUILDING STRUCTURE	133099	DURGESH SAKSHAM PATIL
YEAR OF STUDIES:	SUPERVISOR:	Dr. Ing. Manoj Fogar, Ph.D
1.5		
NAME OF PROJECT :		
MLYNSKE NIVY BUS TERMINAL - DILTATION A5		
CONTENT:	FORMAT:	150A4
DETAIL OF STAIRCASE - 1PP	SCALE:	1:150, 1:5
	DATE:	29.11.2022

