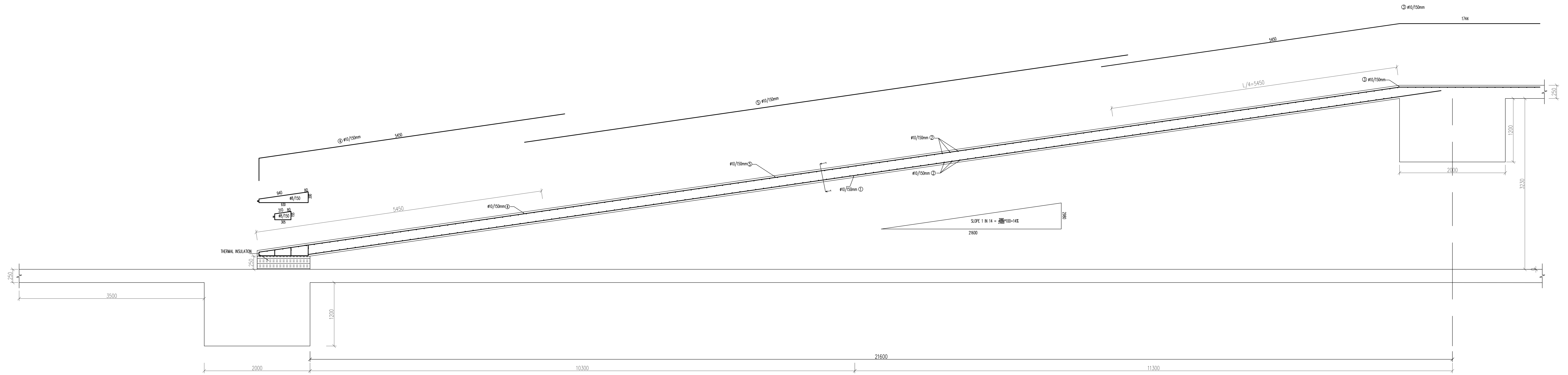
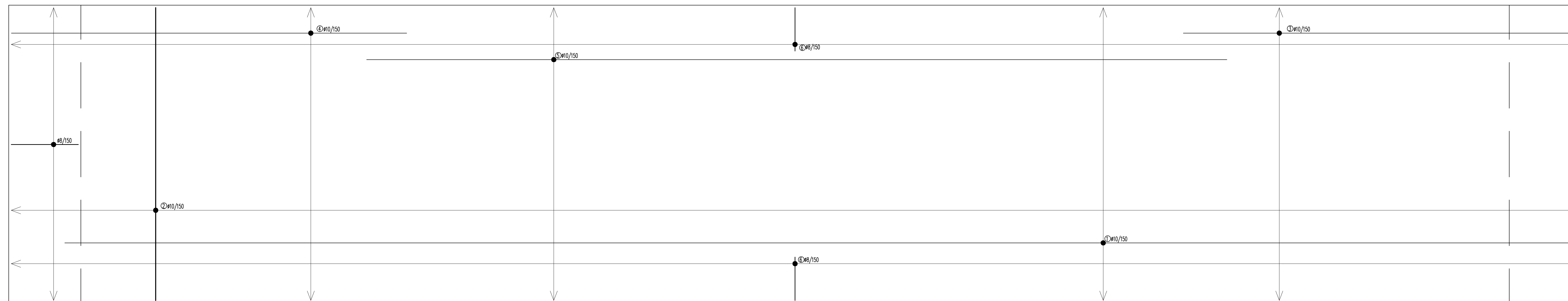


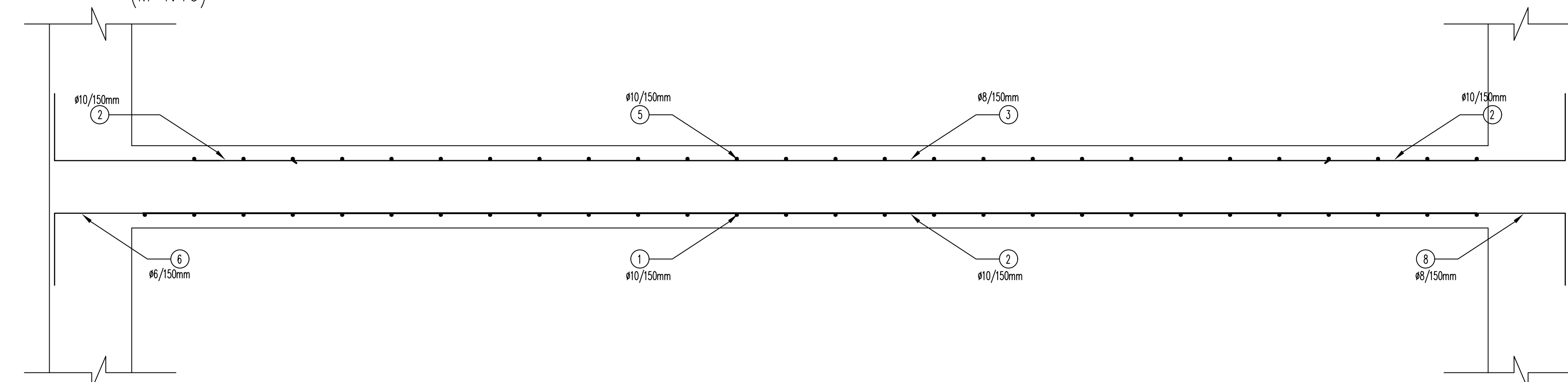
DETAILING OF RAMP : 2NP  
M1:25



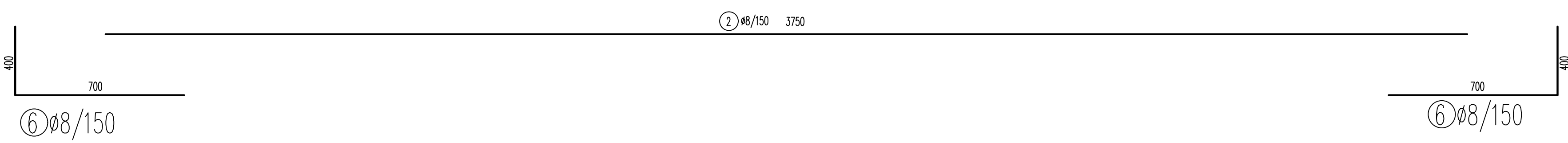
FLOOR PLAN OF REINFORCEMENT : 2NP  
M1:25



SECTION 1-1  
(M 1:10)



NOTE:  
CONCRETE: C30/37 XC4, XD3, XM2 – CI 0.4 Dmax 16–S3  
STEEL B500B  
CONCRETE COVER 35mm  
THICKNESS OF RAMP SLAB: 250mm  
THICKNESS OF THERMAL INSULATION: 250mm



⑥#8/150

⑥#8/150

FIELD:	SUBJECT:	NAME OF STUDENT:
BUILDING STRUCTURE	133PP	DURGESHI SAHAWRAN PATIL
YEAR OF STUDIES:	SUPERVISOR	
15	doc. Ing. Manoj Fogler, Ph.D	
NAME OF PROJECT :		
MLYNSKE NIVY BUS TERMINAL – DILTATION A5		
CONTENT:	FORMAT	1844
DETAIL OF RAMP – 2NP	SCALE	1:25, 1:10
	DATE	29.11.2022

