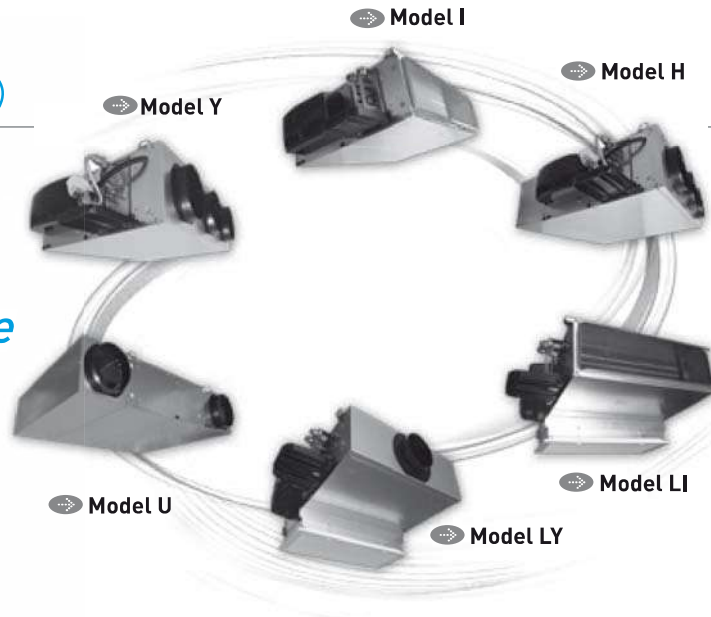




→ Ductable  
comfort units

Size 6 available  
1st quarter 2015

“  
Comfort unit with **high available static pressure**  
**Modular air discharge configurations**  
**Flexible installation**  
Excellent **acoustic comfort**



COMFORT LINE



## COMFORT LINE

With the new ductable type comfort unit, CIAT is strengthening its strategy of sustainable development and providing solutions that meet the latest requirements in terms of comfort, energy optimisation and quality for interior environments.

Integrating the latest technical developments, **COMFORT LINE** is the customisable solution designed to provide summer and winter comfort for occupants of new and renovated buildings.

Easy to install, COMFORT LINE is available in 6 frame sizes and comes in 4 thicknesses: 215, 245, 280 and 375 mm, allowing it to be integrated into all types of suspended ceilings.

For total flexibility and adaptability, COMFORT LINE is available in several assembly versions: I, Y, H, U, LI and LY.

In the HEE (High Energy Efficiency) version, COMFORT LINE not only provides energy savings of up to 85%, but also meets the strict requirements of thermal regulations. Furthermore, COMFORT LINE complies with the ErP 2015 directive.

In conjunction with Epure technology, COMFORT LINE treats particle pollution. The EPURE solution guarantees excellent indoor air quality and ensures a PM2.5 particulate concentration below the limit recommended by the WHO ( $10 \mu\text{g}/\text{m}^3$ ).

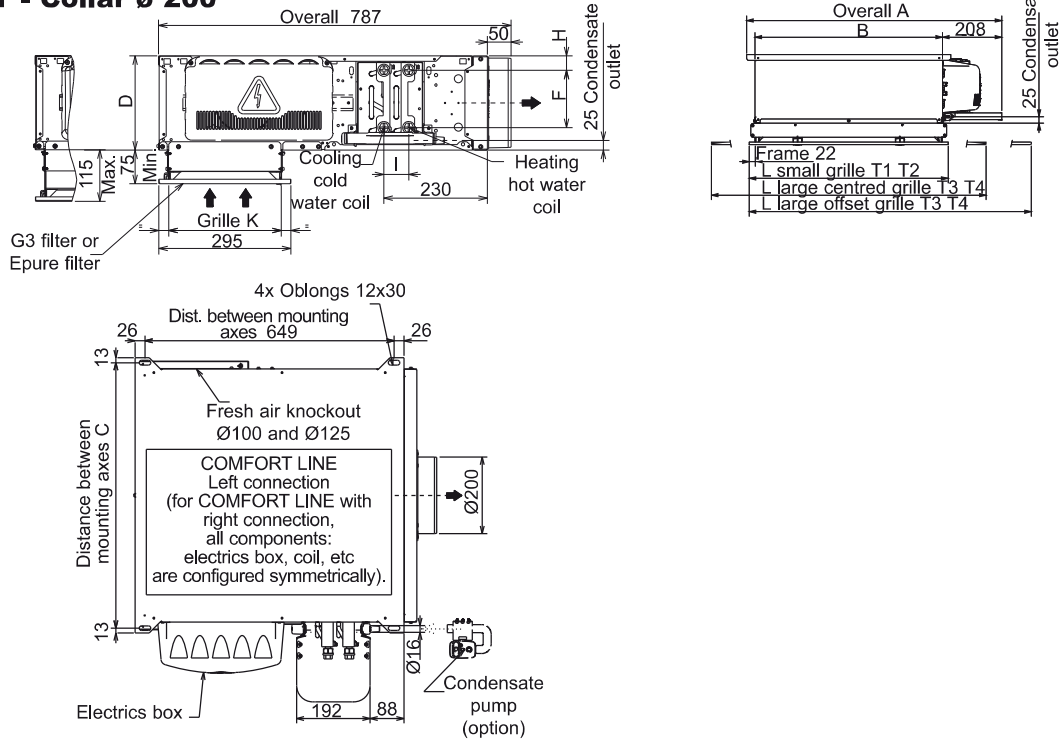
## ECO-DESIGN

COMFORT LINE has been fully designed using eco-design principles and is integrated into CIAT's sustainable development policy.

- Choice of supplier located close to the production plant,
- 94% recyclability rate,
- gain of 13% on the LCA,

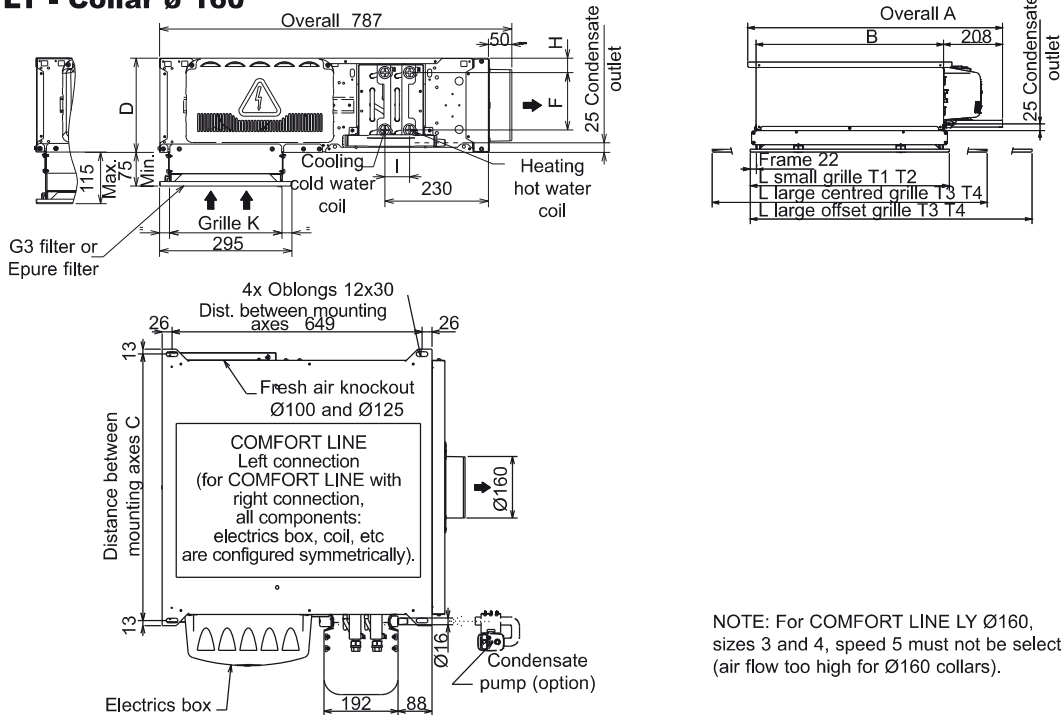


## MODEL LY - Collar ø 200



	A	A'	B	C	D	E	F		G		H		I (4T)		K	L	
							C. Coil	H. Coil	C. Coil	H. Coil	C. Coil	H. Coil	3 rows	4 rows			
T1 (1V)					215		128	128									
T1 (2V)	898		660	692		330			1/2"	1/2"	35	35	55	55	250	700	
T2					245		160	160									
T3	1205	1285	960	992		305	192	192	3/4"			110		62		1195	
T4					280												

## MODEL LY - Collar ø 160



NOTE: For COMFORT LINE LY Ø160, sizes 3 and 4, speed 5 must not be selected (air flow too high for Ø160 collars).

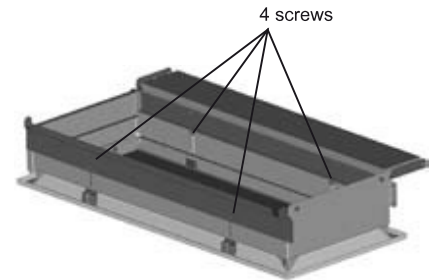
	A	A'	B	C	D	E	F		G		H		I (4T)		K	L
							C. Coil	H. Coil	C. Coil	H. Coil	C. Coil	H. Coil	3 rows	4 rows		
T1 (1V)					215		128	128								
T1 (2V)	898		660	692		330			1/2"	1/2"	35	35	55	55	250	700
T2					245		160	160								
T3	1205	1285	960	992		305	192	192	3/4"			110		62		1195
T4					280											

## Return grille adjustment

Sizes 1 and 2: 700 grille on 700 frame  
 Sizes 3 and 4: grille on 1200 frame

Vertical adjustment only:

- 1) Open the grille fully using the 2 clips.
- 2) Remove the grille + the filter completely.
- 3) Unscrew the 4 screws (see the view below) then adjust the height with the adjustment holes, then refit the screws.
- 4) Cover over the adjustment holes with aluminium tape.

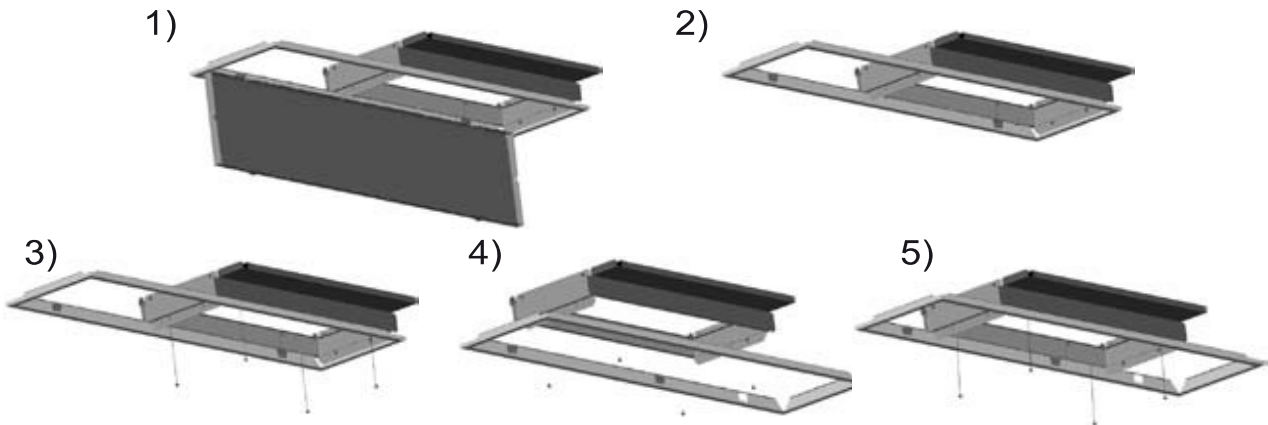


Sizes 1 and 2: 700 grille on 1200 frame

Vertical adjustment (see above)

Horizontal adjustment:

- 1) Open the grille using the 2 clips.
- 2) Remove the grille + the filter completely.
- 3) Undo the 4 screws.
- 4) Move the support panel.
- 5) Refit the 4 screws.



## SUMMARY OF COLLAR NUMBERS FOR MODELS Y, H AND LY

Size	Collar(s) Ø 160	Collar(s) Ø 200	Collar(s) Ø 250
T1	or	or	
T2			
T3			
T4			
T5			
T6			



→ Ductable  
comfort units

COMFORT LINE

## Motor electrical specifications

COMFORT LINE	Motor speed	AC asynchronous motor					HEE Brushless motor					
		T1	T2	T3	T4	T5	T1	T2	T3	T4	T5	T6
Power input (W)	V5	74	119	166	180	223	37	72	113	97	172	343
	V4	48	104	124	125	192	22	54	47	38	117	330
	V3	42	88	111	110	163	14	36	27	22	67	307
	V2	36	67	96	95	149	8	14	14	13	36	178
	V1	34	51	93	90	129	5	6	9	8	17	110
Input current (A)	V5	0.32	0.53	0.7	0.77	0.95	0.25	0.47	0.69	0.61	1.06	2.59
	V4	0.22	0.45	0.52	0.53	0.81	0.16	0.36	0.3	0.25	0.73	2.36
	V3	0.2	0.38	0.47	0.48	0.69	0.11	0.25	0.18	0.15	0.43	2.22
	V2	0.18	0.29	0.42	0.42	0.64	0.07	0.11	0.1	0.1	0.24	1.32
	V1	0.18	0.22	0.41	0.4	0.57	0.06	0.06	0.07	0.07	0.12	0.75

### CONDITIONS:

Maximum values with outlet open.  
Supply voltage 230V ± 10% / 50-60Hz.

## Coil contents

	2-tube coil (L)	4-tube coil (L)	
		Cold water coil	Hot water coil
12B	0,473		
12D	0,641		
12E	0,894		
14B		0,473	0,179
14D		0,641	0,264
22C	0,652		
22D	0,824		
22E	1,072		
24C		0,652	0,18
24D		0,82	0,264
32C	0,908		
32D	1,149		
32E	1,511		
34C		0,908	0,253
34D		1,149	0,373
42C	1,9		
42D	2,339		
42E	3,217		
44C		1,9	0,459
44D		2,339	0,459
52C	2,43		
52D	3,00		
52E	4,148		
54C		2,432	0,59
54D		3,00	0,59
62B	3,065		
62D	4,495		
62E	5,925		
64B		3,065	1,635
64D		4,495	1,635

## Diameters of coil couplings

Coil coupling type: flat end swivel nuts with a female thread

Valve outlet coupling type: "male" threaded couplings to be used

COMFORT LINE		Size 1	Size 2	Size 3	Size 4	Size 5	Size 6
2-tubes system	Hot water or cold water coil	G1/2"	G1/2"	G1/2"	G3/4"	G3/4"	G3/4"
	Cold water coil	G1/2"	G1/2"	G1/2"	G3/4"	G3/4"	G3/4"
4-tubes system	Hot water coil	G1/2"	G1/2"	G1/2"	G1/2"	G1/2"	G3/4"

## MODEL LI / LY

Cold water temperature: 7/12°C, summer air temperature: 27°C - 19°C (WB)

Hot water temperature: 70/60°C, summer air temperature: 20°C - 50% (RH)

COMFORT LINE Model LI Model LY	Motor code	Air flow in m <sup>3</sup> /h	Cooling cap. W		Heating capacity W	Sound power LW dB(A)	Comfort level ISO or NR	Average air temperature rise in K (1) Auxiliary electric heater 230/1/50	
			Total	Sensible				500W	1000W
12B	V5	500	1 810	1 750	5 460	59	44	3.0	5.9
	V4	405	1 580	1 500	4 730	53	38	3.7	7.3
	V3	330	1 370	1 280	4 090	48	32	4.5	9.0
	V2	240	1 060	978	3 300	42	24	6.2	12.4
	V1	170	792	722	2 510	35	18	8.7	17.5
12D	V5	500	2 370	2 080	6 180	59	44	3.0	5.9
	V4	405	2 040	1 750	5 270	53	38	3.7	7.3
	V3	330	1 750	1 480	4 500	48	32	4.5	9.0
	V2	240	1 370	1 120	3 530	42	24	6.2	12.4
	V1	170	1 000	812	2 630	35	18	8.7	17.5
12E	V5	500	2 870	2 330	6 750	59	44	3.0	5.9
	V4	405	2 460	1 950	5 670	53	38	3.7	7.3
	V3	330	2 110	1 640	4 780	48	32	4.5	9.0
	V2	240	1 630	1 230	3 660	42	24	6.2	12.4
	V1	170	1 200	893	2 680	35	18	8.7	17.5
14B	V5	500	1 810	1 750	3 190	59	44	3.0	5.9
	V4	405	1 580	1 500	2 880	53	38	3.7	7.3
	V3	330	1 370	1 280	2 590	48	32	4.5	9.0
	V2	240	1 060	979	2 170	42	24	6.2	12.4
	V1	170	792	723	1 760	35	18	8.7	17.5
14D	V5	500	2 420	2 110	4 630	59	44	3.0	5.9
	V4	405	2 080	1 770	4 050	53	38	3.7	7.3
	V3	330	1 790	1 490	3 530	48	32	4.5	9.0
	V2	240	1 380	1 130	2 800	42	24	6.2	12.4
	V1	170	1 010	817	2 150	35	18	8.7	17.5
22C	V5	750	3 410	3 180	9 300	62	47	2.0	4.0
	V4	685	3 200	2 940	8 690	60	44	2.2	4.3
	V3	595	2 880	2 600	7 800	56	40	2.5	5.0
	V2	400	2 110	1 810	5 640	47	30	3.7	7.4
	V1	230	1 320	1 070	3 470	35	18	6.5	12.9
22D	V5	750	3 940	3 420	9 990	62	47	2.0	4.0
	V4	685	3 680	3 150	9 270	60	44	2.2	4.3
	V3	595	3 310	2 770	8 230	56	40	2.5	5.0
	V2	400	2 400	1 930	5 800	47	30	3.7	7.4
	V1	230	1 480	1 150	3 460	35	18	6.5	12.9
22E	V5	750	4 280	3 550	10 300	62	47	2.0	4.0
	V4	685	4 000	3 280	9 560	60	44	2.2	4.3
	V3	595	3 600	2 890	8 480	56	40	2.5	5.0
	V2	400	2 610	2 010	5 980	47	30	3.7	7.4
	V1	230	1 620	1 200	3 590	35	18	6.5	12.9
24C	V5	750	3 410	3 180	3 700	62	47	2.0	4.0
	V4	685	3 200	2 940	3 580	60	44	2.2	4.3
	V3	595	2 880	2 600	3 380	56	40	2.5	5.0
	V2	400	2 110	1 820	2 820	47	30	3.7	7.4
	V1	230	1 320	1 080	2 070	35	18	6.5	12.9
24D	V5	750	4 050	3 470	5 070	62	47	2.0	4.0
	V4	685	3 780	3 190	4 880	60	44	2.2	4.3
	V3	595	3 380	2 810	4 580	56	40	2.5	5.0
	V2	400	2 440	1 950	3 740	47	30	3.7	7.4
	V1	230	1 490	1 160	2 660	35	18	6.5	12.9

**Model LI sound level:**

Comfort level provided by the COMFORT LINE LI. Attenuation of 12 dB (Sizes 1 to 3) and 14 dB (Sizes 4 and 5) depending on the room, the sound absorbing duct and the isolated distribution plenum. Attenuation is identical for COMFORT LINE LI + diffusion kit.

(1) Important: the temperature should not exceed 65°C (CIAT recommendation).

**Model LY sound level:**

Comfort level provided by the COMFORT LINE LY. Attenuation of 14 dB (Sizes 1 to 3) and 16 dB (Sizes 4 and 5) depending on the room, the sound absorbing duct and the isolated distribution plenum. Attenuation is identical for COMFORT LINE LY + diffusion kit.

(1) Important: the temperature should not exceed 65°C (CIAT recommendation).

NOTE: For COMFORT LINE LYk, sizes 3 and 4, speed 5 must not be selected (air flow too high for Ø160 collars).

## MODEL LI / LY

Cold water temperature: 7/12°C, summer air temperature: 27°C - 19°C (WB)

Hot water temperature: 70/60°C, summer air temperature: 20°C - 50% (RH)

COMFORT LINE Model LI Model LY	Motor code	Air flow in m <sup>3</sup> /h	Cooling cap. W		Heating capacity W	Sound power LW dB(A)	Comfort level ISO or NR	Average air temperature rise in K (1) Auxiliary electric heater 230/1/50	
			Total	Sensible				700W	1400W
32C	V5	1 230	5 400	4 870	15 800	65	48	1.7	3.4
	V4	920	4 520	3 910	12 300	59	42	2.3	4.5
	V3	735	3 910	3 280	10 100	54	38	2.8	5.7
	V2	535	3 120	2 530	7 550	49	33	3.9	7.8
	V1	410	2 550	2 010	5 890	45	29	5.1	10.1
32D	V5	1230	6 020	5 250	17 000	65	48	1.7	3.4
	V4	920	4 950	4 150	13 200	59	42	2.3	4.5
	V3	735	4 220	3 450	10 700	54	38	2.8	5.7
	V2	535	3 310	2 620	7 980	49	33	3.9	7.8
	V1	410	2 660	2 060	6 200	45	29	5.1	10.1
32E	V5	1 230	6 300	5 340	17 100	65	48	1.7	3.4
	V4	920	5 150	4 210	13 100	59	42	2.3	4.5
	V3	735	4 370	3 490	10 700	54	38	2.8	5.7
	V2	535	3 420	2 650	7 900	49	33	3.9	7.8
	V1	410	2 750	2 090	6 120	45	29	5.1	10.1
34C	V5	1230	5 400	4 870	6 030	65	48	1.7	3.4
	V4	920	4 520	3 910	5 320	59	42	2.3	4.5
	V3	735	3 910	3 290	4 790	54	38	2.8	5.7
	V2	535	3 120	2 530	4 050	49	33	3.9	7.8
	V1	410	2 550	2 010	3 470	45	29	5.1	10.1
34D	V5	1 230	6 230	5 370	8 170	65	48	1.7	3.4
	V4	920	5 080	4 220	7 100	59	42	2.3	4.5
	V3	735	4 300	3 490	6 310	54	38	2.8	5.7
	V2	535	3 350	2 640	5 250	49	33	3.9	7.8
	V1	410	2 700	2 080	4 440	45	29	5.1	10.1
								700W	1400W
42C	V5	1 260	6 240	5 550	16 400	64	45	1.7	3.3
	V4	905	5 010	4 180	12 400	58	39	2.3	4.6
	V3	720	4 240	3 430	10 200	53	35	2.9	5.8
	V2	535	3 380	2 630	7 800	49	31	3.9	7.8
	V1	405	2 690	2 040	6 050	45	26	5.1	10.3
42D	V5	1 260	7 260	5 980	17 500	64	45	1.7	3.3
	V4	905	5 730	4 490	13 100	58	39	2.3	4.6
	V3	720	4 800	3 660	10 600	53	35	2.9	5.8
	V2	535	3 760	2 800	8 090	49	31	3.9	7.8
	V1	405	2 970	2 170	6 230	45	26	5.1	10.3
42E	V5	1 260	7 780	6 180	17 900	64	45	1.7	3.3
	V4	905	6 050	4 620	13 300	58	39	2.3	4.6
	V3	720	5 040	3 760	10 800	53	35	2.9	5.8
	V2	535	3 930	2 870	8 140	49	31	3.9	7.8
	V1	405	3 090	2 220	6 250	45	26	5.1	10.3
44C	V5	1260	6 240	5 550	6 650	64	45	1.7	3.3
	V4	905	5 010	4 190	5 740	58	39	2.3	4.6
	V3	720	4 240	3 430	5 120	53	35	2.9	5.8
	V2	535	3 380	2 640	4 350	49	31	3.9	7.8
	V1	405	2 690	2 050	3 680	45	26	5.1	10.3
44D	V5	1 260	7 390	6 050	6 630	64	45	1.7	3.3
	V4	905	5 820	4 530	5 690	58	39	2.3	4.6
	V3	720	4 860	3 700	5 070	53	35	2.9	5.8
	V2	535	3 790	2 820	4 290	49	31	3.9	7.8
	V1	405	2 980	2 190	3 620	45	26	5.1	10.3

### Model LI sound level:

Comfort level provided by the COMFORT LINE LI. Attenuation of 12 dB (Sizes 1 to 3) and 14 dB (Sizes 4 and 5) depending on the room, the sound absorbing duct and the isolated distribution plenum. Attenuation is identical for COMFORT LINE LI + diffusion kit.

(1) Important: the temperature should not exceed 65°C (CIAT recommendation).

### Model LY sound level:

Comfort level provided by the COMFORT LINE LY. Attenuation of 14 dB (Sizes 1 to 3) and 16 dB (Sizes 4 and 5) depending on the room, the sound absorbing duct and the isolated distribution plenum. Attenuation is identical for COMFORT LINE LY + diffusion kit.

(1) Important: the temperature should not exceed 65°C (CIAT recommendation).

Note: For COMFORT LINE LY Ø160, sizes 3 and 4, speed 5 must not be selected (air flow too high for Ø160 collars).