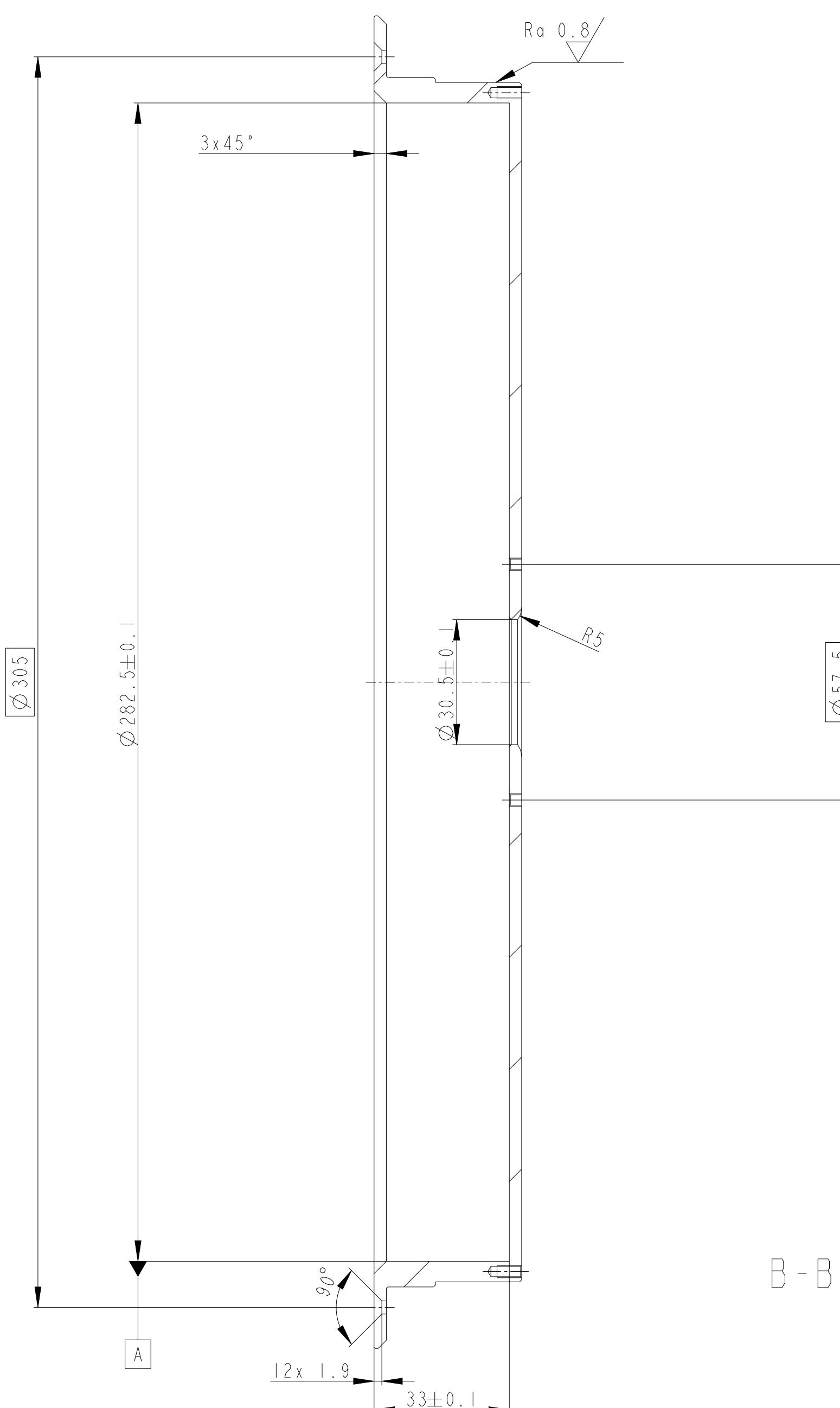
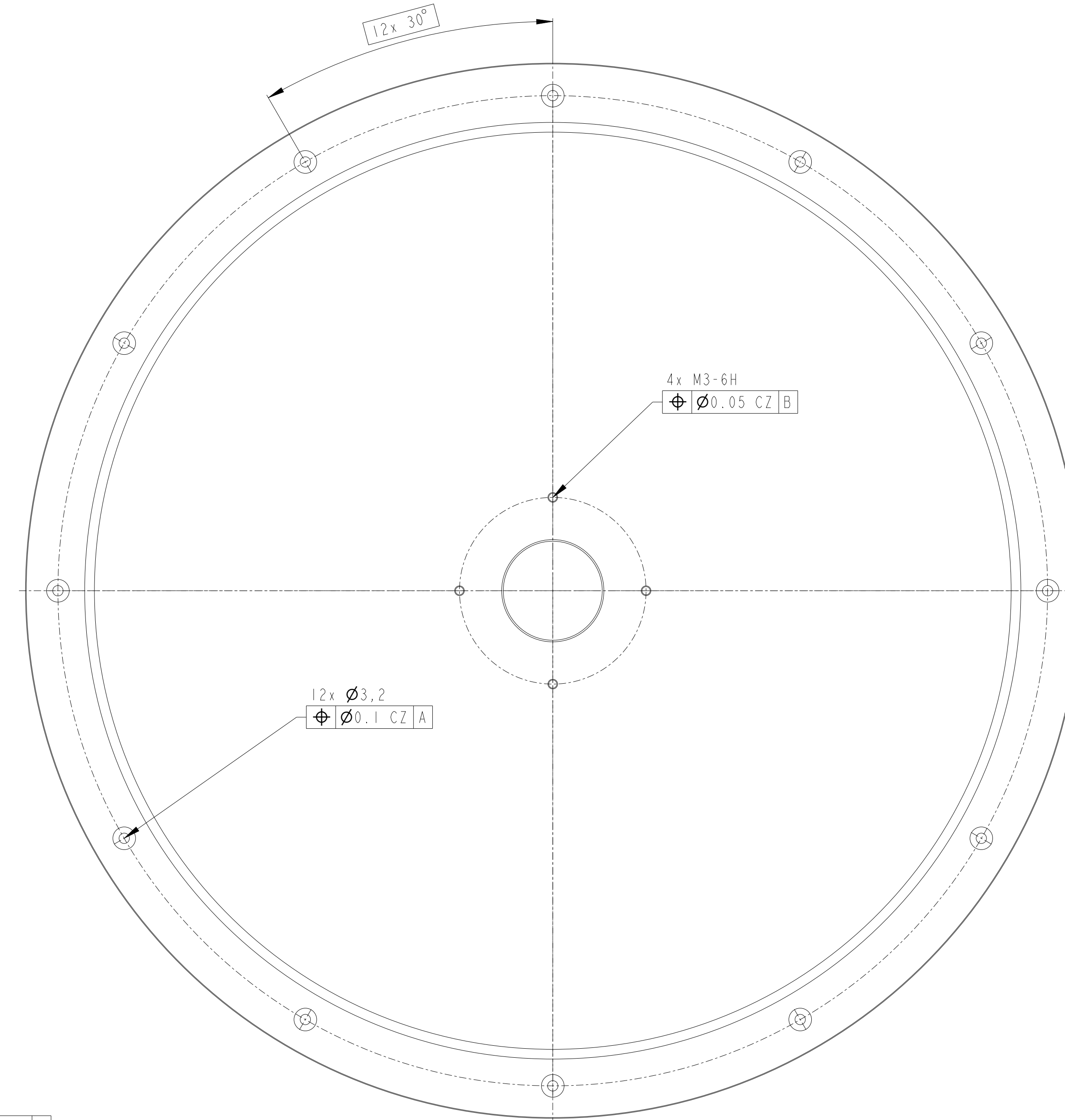
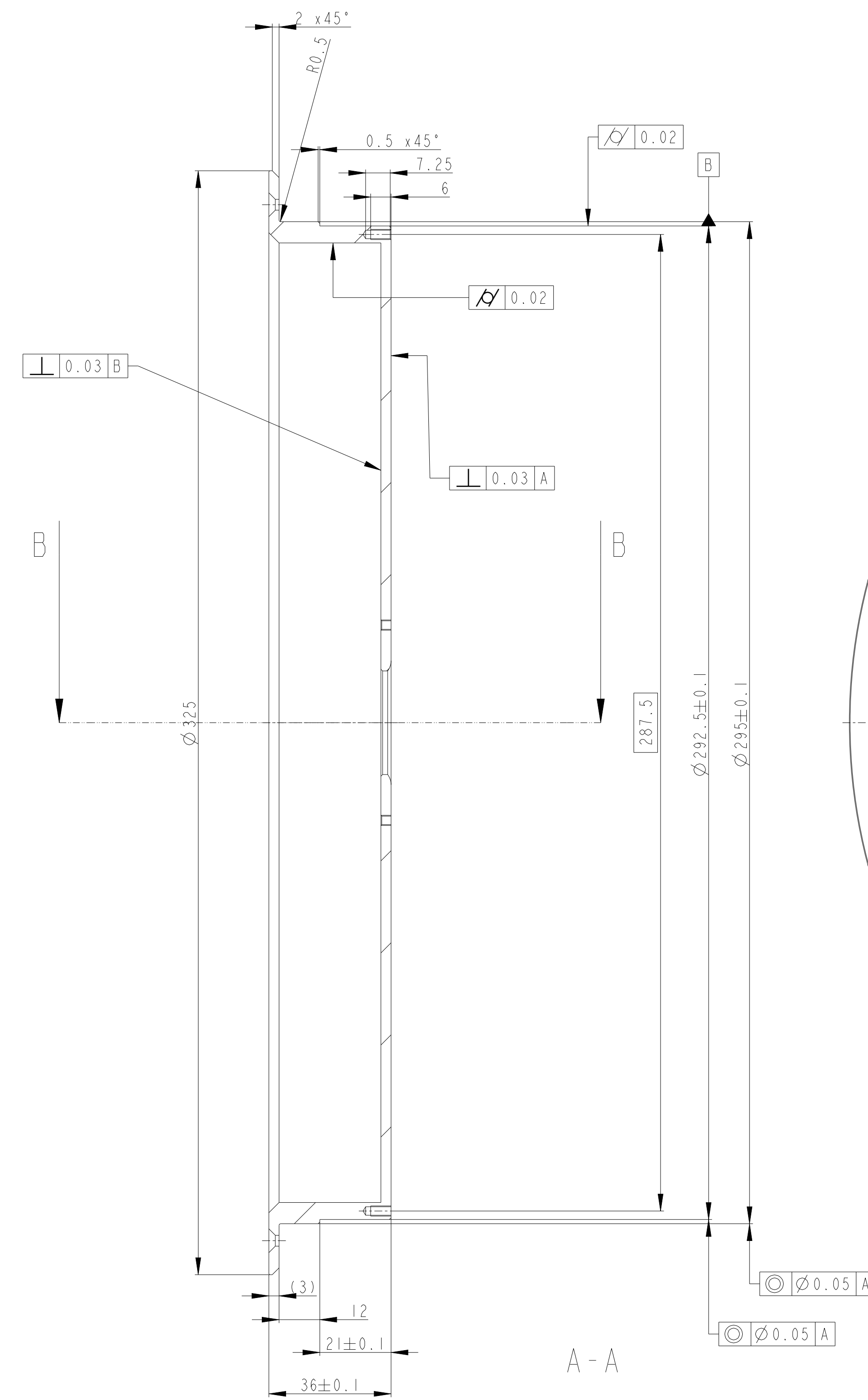
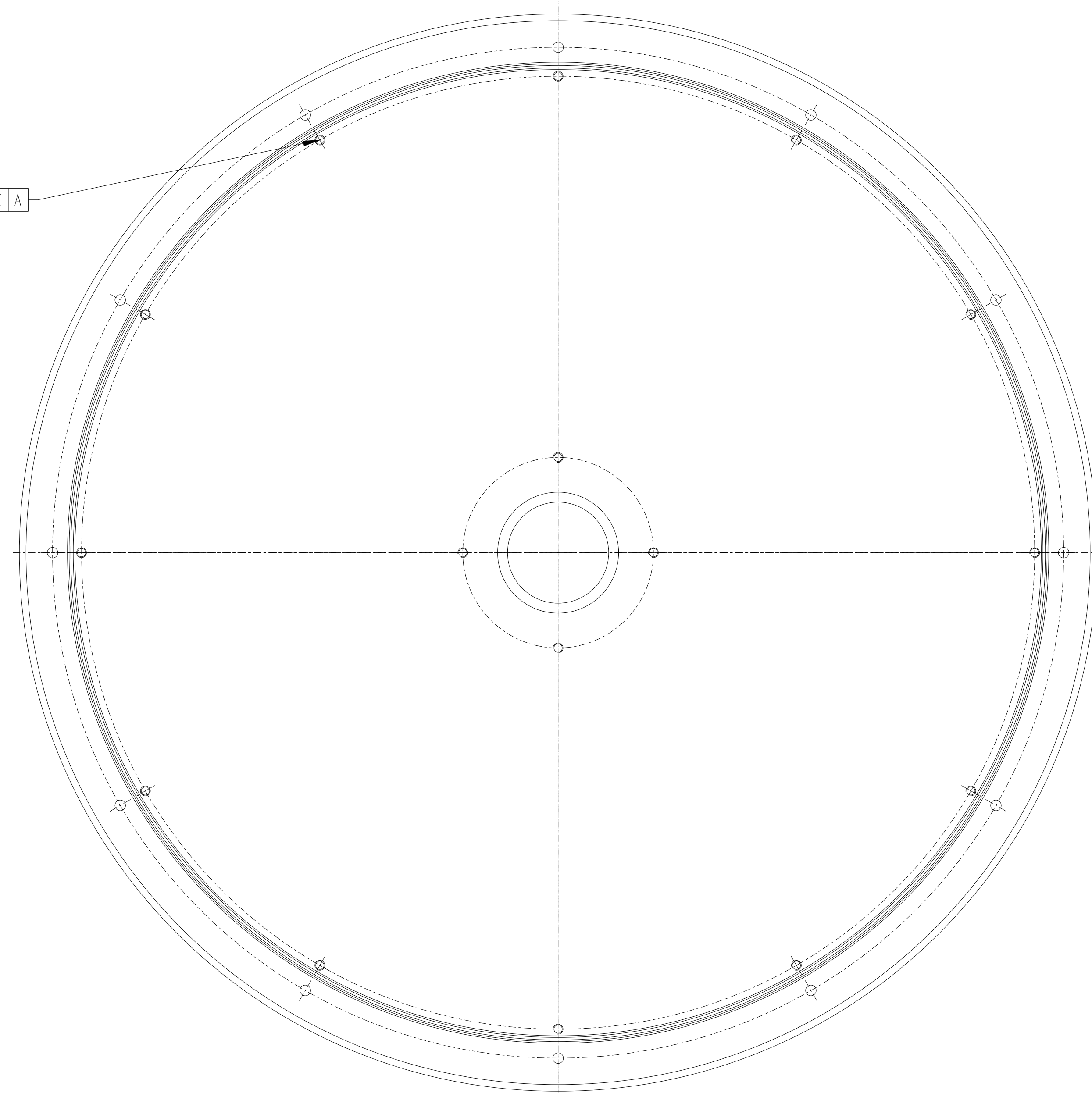


12x M3-6H  
⊕ ⌀0.1 CZ A



Ra 3.2 / (Ra 0.8 / Ra 1.6)

REVISIONS		DATE		DRAWN		APPROVED		TECHNOLOGY	
TOLERANCES CSN ISO 9015		MATERIAL: EN AW-2007		STATE: Development		SHEET 1 OF 1		SIZE	
GENERAL TOLERANCES ISO 2768-mK		SEMI PRODUCT:		NAME: FOCUSING WHEEL		SCALE		1:1	
DIMENSIONS ARE IN mm		DRAWN: David Pujman		APPROVED:		WEIGHT: 1090.000 g		PART NUMBER: Part 15 A	
MODIFIED: David Pujman		28.03.2022				REVISION		A.13	
APPROVED:									
USE:									
UV:									
VISIBLE PART:									